



# Argon

## Spare Parts Catalogue

# QUICKIE

**INNOVATE.  
BUILD FOR THE FUTURE**



This product is manufactured to comply with the Medical Device Directive 93/42/EEC.

### **Use of Illustrations & Text:**

The illustrations and accompanying text set out in this document are the property of Sunrise Medical Limited and must not be copied or used for manufacturing, tendering or any other purpose without written consent from Sunrise Medical.

### **Ordering:**

Item numbers shown as N/A are for reference purposes only and should not be used when ordering replacement parts. Always quote the correct serial number and part number.

### **Quality Management Systems:**

Sunrise Medical Limited is accredited to ISO 9001: 2000, which is the internationally recognised standard for quality management systems, as well as ISO 13485: 2003, which specially governs Medical Devices. These approvals ensure that we provide quality in all areas of our business from development through to final delivery.

### **Parts Disclaimer:**

It is potentially hazardous to fit or use any parts other than genuine Sunrise Medical parts. The company disclaims all liability for the consequences of such use, which in addition voids the product warranty.

This product is for the carriage of one person and must not under any circumstances be used for any other purpose.

### **Queries:**

Should you have any queries then please contact Sunrise Medical Ltd on

**Tel:** +44 (0)1384 44 66 66

**Fax:** +44 (0)1384 44 66 11

QUICKIE Argon.....	5
Options.....	5
Rear Wheels & Axle Tubes.....	6
Argon - 24" Universal rear wheel & hand rim (5171 & 5172).....	6
Argon - Design rear wheel & hand rim (5137).....	9
Argon - Lightweight rear wheel & hand rim (5140).....	11
Argon - 24" Mountain-Bike rear wheel & hand rim (5162).....	13
Argon - Spinergy wheel (5159).....	15
Argon - Spoke Guards.....	17
Argon - Axle tube unit (5161).....	19
Argon - Amputee Axle (5235).....	21
Argon - Suspension system (5184).....	22
Argon - Power 105 Adapter Kit (Quickie Extender) (.....	23
Brakes.....	25
Argon - Knee lever brakes & extension (6008 & 6016).....	25
Argon - Standard brakes with frame fixing (6009).....	27
Argon - Knee lever brakes with Grade Aid (6005).....	29
Argon - Scissor brakes (6004).....	30
Argon - Compact - Wheel-Lock (6003).....	31
Footrests.....	32
Argon -Platform footrest angle and depth adjustable (2101).....	32
Argon - Tubular Footrest (2106).....	36
Argon - Tubular Footrest with Flat Cover (2105).....	37
Argon - Divided Footplates (2120).....	38
Argon - Platform Footplates High-mount (2102).....	40
Castor.....	41
Argon - Castor, Height adjustable.....	41
Argon - Castor, fixed. Discontinued cw 22 /2006.....	43
Argon - Castor, fixed. Starting cw 23 /2006.....	45
Argon - Castor fork pin lock (5854).....	47
Argon - Quick release axle for castor (5826).....	48
Frame & Seat.....	49
Argon - Frame.....	49
Argon - Frame protection cover (1281).....	50
Argon - Seat Sling.....	51
Backrests.....	57
Argon - Back Upholstery (4032 & 4038) & Back tube Standard (long) (4022).....	57
Argon - Back tube with push handle, folding (4024).....	61
Argon - Height-adjustable push handle (4034).....	62
Argon - Back tubes without push handles (4054).....	63
Argon - Seat depth Growth (4020) Back foldable (4029) & non folding (4018) & double locking back (4016).....	64
Sideguards.....	66
Argon - Sideguard, aluminium (4229).....	66
Argon - Sideguard aluminium with Fender (4238).....	67
Argon - Sideguard, carbon fiber with Fender (4232).....	69
Argon -Single post Height Adjustable Armrests Quickie Style (4264).....	71

## Table of Content

---

Argon - Flip-up mechanism for sideguard (4233).....	72
Argon - Plastic Sideguards detachable (quickie style) (4263).....	73
Argon - Padded swingaway Armrest Quickie style (angle adjustable).....	74
Accessories.....	76
Argon - Tipping tube with frame adapter (1230) .....	76
Argon - Positioning belt with lock (4049).....	77
Argon - Caddy (2118) .....	78
Argon - Backpack (4006) .....	79
Argon - Swingaway anti-tip tube (1244).....	80
Argon - Pluggable anti-tip tube (1245).....	82
Argon - Seat cushion (3026,3027, 3028,3029) .....	83
Argon - Crutch holder with Velcro strap (1205).....	84
Argon - Transit wheels with frame adapter (1247).....	85
Argon - Toolkit & Pump (1403).....	87
Argon - Mobile phone case .....	88
Argon - High pressure pump 1402).....	89

## Options

The following options are available within the assemblies:

Option	Description	Available options
BACKH:..?	Back height in cm	25 - 45 in 2,5 cm-steps
CBA:..?	Camber angle in °	see order form
CSZ:..?	Castor size in "	3, 4, 5, 6,
CTY:....?	Castor type	Solid, Soft, Light up
COLMP:..?	Colour metal parts	see order form
COLUP:..?	Colour upholstery	see order form
CUTH:..?	Cushion thickness in cm	3 cm or 5 cm
FKTY:..?	Fork type	72 mm, 118 mm, 138 mm
FRCR:..?	Frame crank in cm	see order form
SD:..?	Seat depth in cm	30 - 50 in 2 cm-steps
SW:....?	Seat width in cm	30 - 50 in 2 cm-steps
SHANKL:....?	Shank length in cm	see order form
USWT:..?	User weight	see order form
WHLS:..?	Wheel size in "	

**Argon - 24" Universal rear wheel & hand rim (5171 & 5172)**



Pos.	Item number	Description	Remark/Qty	Options
1.1,1.3	SOP-000 851 262.01	22" Universal rear wheel, straight spoked, colour coated, with quick-release axle (without tyres)		COLMP:..?
1.1,1.3	SOP-000 850 264	24" Universal rear wheel, clear anodised, with quick-release axle (without tyres)		
1.1,1.3	SOP-000 850 264.01	24", Universal rear wheel. straight spoked, anodised, with quick release axle (without tyres)		
1.1,1.3	SOP-000 850 266	26" Universal wheel. Cross Spoked Anodised with Quick release axle (without tyre)		
n/s	SOP-000 220 253	Quick-release axle for Universal rear wheel		

Pos.	Item number	Description	Remark/Qty	Options
1.3	SOP-000 854 017.01	22" aluminium handrim, central, silver anodised, clear coated		
1.3	SOP-000 854 017	22" aluminium handrim, central, silver anodised cpl.		
1.3	SOP-000 854 024.22	22" stainless steel handrim, central, electropolished cpl.		
1.3	SOP-000 854 742	22" aluminium handrim, high, Supergrip black cpl.		
1.3	000 854 026.28	24" aluminium handrim, Black. Complete with fitting accessories		
1.3	SOP-000 854 035.24	24" aluminium handrim, Coloured. Complete with fitting accessories		COLMP:..?
1.3	SOP-000 854 024.24	24" stainless steel handrim central, electropolished. Complete with fitting accessories		
1.3	SOP-000 854 624.24	24" stainless steel handrim -CLOSE FITTING- central, electropolished. Complete with fitting accessories		
1.3	SOP-000 854 026.28	24" aluminium handrim, silver anodised (from CW 33/07)		
1.3	SOP-000 854 026.30	24" aluminium handrim, silver anodised, clear coated (from CW 33/07)		
1.3	SOP-000 854 054	24" titanium handrim central For Universal wheel/Design wheel. Complete with fitting accessories		
1.3	SOP-000 854 534	Greifring 24" Supergrip mittig		
1.3	SOP-000 854 064	24" titanium handrim, central, clear coated, for Universal wheel/Design wheel cpl.		
n/s	SOP-000 854 513	22" handrim cover central, black		
n/s	SOP-000 854 514	24" handrim cover central, black		
1.2	SOP-000 857 225.01	22" x 1" tyre, grey, easy-run rugged tread complete (tyre, tube & tube protector)		
1.2	SOP-000 857 225	22" x 1" tyre, grey, easy-run fine tread complete. (tyre, tube & tube protector)		
1.2	SOP-000 857 224.01	24" x 1" tyre, grey, easy-run fine tread complete. (tyre, tube & tube protector)		
1.2	SOP-000 857 224.02	24" x 1" tyre, grey, easy-run rugged tread complete (tyre, tube & tube protector)		
1.2	SOP-000 283 029	24" Inova tyre only, superlight		
1.2	SOP-000 857 424	24" x 1" tyre only, Downtown - Two grip		
1.2	SOP-000 857 226.03	26" x 1" Tyre Fine Tread complete (tyre, tube & protector)		
1.2	SOP-000 283 018	22" x 1" tyre only easy-run rugged tread, grey		
1.2	SOP-000 283 016	22" x 1" tyre only easy-run fine tread, grey		
1.2	SOP-000 283 037	24" Downtown - Two grip tyre only		
1.2	SOP-000 283 014	24" x 1" tyre only easy-run fine tread, grey		
1.2	SOP-000 283 013	24" x 1" tyre only easy-run rugged tread, grey		
1.2	SOP-000 283 036	24" tyre, Marathon Plus, solid, rugged tread tyre only		
1.2	SOP-000 283 017	24" x 1" solid tyre only		
1.2	SOP-000 283 047	26" x 1" Fine Tread Tyre only		

Pos.	Item number	Description	Remark/Qty	Options
n/s	SOP-000 283 114	22" x 1" inner tube	10 items/pack	
n/s	SOP-000 283 113	24" x 1" pneumatic inner tube	10 items/pack	
n/s	SOP-000 283 124-ET	26" x 1" Inner Tube	10 items/pack	
n/s	SOP-000 283 151-ET	22" tube protector	10 items/pack	
n/s	SOP-000 283 152-ET	24" tube protector	10 items/pack	
n/s	SOP-000 283 153-ET	26" Tube Protector	10 items/pack	
n/s	SOP-000 280 001-ET	Spoke reflector	10 items/pack	



## Argon - Design rear wheel &amp; hand rim (5137)



Pos.	Item number	Description	Remark/Qty	Options
1.1-1.2	SOP-000 851 315	24" Design rear wheel, clear anodised with quick-release axle (without tyres)		
1.1-1.2	SOP-000 851 316	26" design rear wheel, clear anodised, with quick-release axle (without tyres)		
1.4	SOP-000 220 299	Quick-release axle		
1.3	SOP-000 854 025.24	24" aluminium handrim, central, light grey. Complete with fitting accessories		
1.3	SOP-000 854 035.24	24" aluminium handrim, central, colour coated. Complete with fitting accessories - Choice of colour		COLMP:..?

**Argon - Design rear wheel & hand rim (5137) [Stand: 09/2007]**

Pos.	Item number	Description	Remark/Qty	Options
1.3	SOP-000 854 024.24	24" stainless steel handrim central, electropolished. Complete with fitting accessories		
1.3	SOP-000 854 054	24" titanium handrim central For Universal wheel/Design wheel. Complete with fitting accessories		
1.3	SOP-000 854 534	Greifring 24" Supergrip mittig		
o.B.	SOP-000 854 514	24" handrim cover central, black		
1.3	SOP-000 854 026.29	26" aluminium handrim, silver anodised (from CW 33/07)		
1.3	SOP-000 854 026.31	26" aluminium handrim, silver anodised, clear coated (from CW 33/07)		
1.3	SOP-000 854 025.26	26" aluminium handrim central, light grey. Complete with fitting accessories		
1.3	SOP-000 854 056	26" titanium handrim central, for Universal wheel/Design wheel. Complete with fitting accessories		
o.B.	SOP-000 857 224.01	24" x 1" tyre, grey, easy-run fine tread complete. (tyre, tube & tube protector)		
o.B.	SOP-000 857 224.02	24" x 1" tyre, grey, easy-run rugged tread cpl. (tyre, tube and tube protector)		
o.B.	SOP-000 857 226.01	26" x 1" tyre, grey, easy-run fine tread complete. (tyre, tube & tube protector)		
o.B.	SOP-000 857 226.02	26" x 1" tyre grey, easy-run rugged tread cpl. (tyre, tube & tubeprotector)		
1.2	SOP-000 283 029	24" Innova tyre, superlight		
o.B.	SOP-000 857 424	24" x 1" tyre assm, Downtown - Two grip		
1.2	SOP-000 283 014	24" x 1" tyre easy-run fine tread, grey		
o.B.	SOP-000 283 036	24" tyre, Marathon Plus, solid, rugged tread		
1.2	SOP-000 283 013	24" x 1" tyre, easy-run rugged tread, grey		
1.2	SOP-000 283 037	24" Downtown - Two grip tyre Only		
o.B.	SOP-000 283 017	24" x 1" solid tyre		
1.2	SOP-000 283 026	26" tyre smooth-run fine tread, grey		
1.2	SOP-000 283 003	26" x 1" tyre easy-run rugged tread, grey		
o.B.	SOP-000 283 113	24" x 1" pneumatic inner tube	10 items/pack	
1.3	SOP-000 283 111-ET	24" inner tube for Downtown - Two grip	10 St./Pkg.	
o.B.	SOP-000 283 023	Tube tyres, Saalsport 26" x 1"		
1.3	SOP-000 283 104	26" x 1" inner tube		
1.3	SOP-000 283 103	26" inner tube for rugged tread		
o.B.	SOP-000 283 152-ET	24" rim strip (17mm)	10 items/pack	
o.B.	SOP-000 283 160-ET	24" tube protector for Downtown - Two grip (19 mm)	10 pc/pack	
o.B.	SOP-000 283 153-ET	26" tube protector		
o.B.	SOP-000 280 001-ET	Spoke reflector	10 items/pack	

## Argon - Lightweight rear wheel &amp; hand rim (5140)



Pos.	Item number	Description	Remark/Qty	Options
1.1,1.4	SOP-000 850 280.01	22" lightweight rear wheel, clear anodised, with quick-release axle and handrim (without tyre)		
1.1,1.4	SOP-000 850 270.01	24" lightweight rear wheel, clear anodised, with quick-release axle (without tyres)		
1.1,1.4	SOP-000 850 285	26" lightweight rear wheel, clear anodised, with quick-release axle and handrim (without tyre)		
1.4	SOP-000 220 299	Quick-release axle		
1.3	SOP-000 854 025.24	24" aluminium handrim, central, light grey. Complete with fitting accessories		

**Argon - Lightweight rear wheel & hand rim (5140) [Stand: 04/2005]**

Pos.	Item number	Description	Remark/Qty	Options
1.3	SOP-000 854 035.24	24" aluminium handrim, central, colour-coated. Complete with fitting accessories - Choice of colour		COLMP:..?
1.3	SOP-000 854 024.24	24" stainless steel handrim central, electropolished. Complete with fitting accessories		
1.3	SOP-000 854 054	24" titanium handrim central For Universal wheel/Design wheel. Complete with fitting accessories		
o.B.	SOP-000 854 514	24" handrim cover central, black		
1.3	SOP-000 854 025.26	26" aluminium handrim central, light grey. Complete with fitting accessories		
1.3	SOP-000 854 056	26" titanium handrim central For Universal wheel/Design wheel. Complete with fitting accessories		
o.B.	SOP-000 857 224.01	24" x 1" tyre, grey, easy-run fine tread complete (tyre, tube & tube protector)		
o.B.	SOP-000 857 226.01	26" x 1" tyre, grey, easy-run fine tread cpl. (tyre, tube and tube protector)		
o.B.	SOP-000 857 224.02	24" x 1" tyre, grey, easy-run rugged tread cpl. (tyre, tube and tube protector)		
o.B.	SOP-000 857 226.02	26" x 1" tyre, grey, easy-run rugged tread complete (tyre, tube & tube protector)		
o.B.	SOP-000 857 424	24" x 1" Tyre complete, Downtown - Two grip		
1.2	SOP-000 283 014	24" x 1" tyre, easy-run fine tread, grey		
1.2	SOP-000 283 013	24" x 1" tyre easy-run rugged tread, grey		
1.2	SOP-000 283 037	24" Downtown - Two grip tyre		
o.B.	SOP-000 283 036	24" tyre, Marathon Plus, solid, rugged tread		
1.2	SOP-000 283 029	24" Innova tyre, superlight		
o.B.	SOP-000 283 113	24" x 1" pneumatic inner tube	10 St./Pkg.	
o.B.	SOP-000 283 111-ET	24" pneumatic inner tube for Downtown - Two grip	10 St./Pkg.	
o.B.	SOP-000 283 104	26" x 1" inner tube	10 St./Pkg.	
o.B.	SOP-000 283 103	26" pneumatic inner tube for rugged tread	10 St./Pkg.	
o.B.	SOP-000 283 152-ET	24" rim strip (17mm)	10 St./Pkg.	
o.B.	SOP-000 283 160-ET	24" tube protector for Downtown - Two grip (19 mm)		
o.B.	SOP-000 283 153-ET	26" rim strip		
o.B.	SOP-000 280 001-ET	Spoke reflector	10 St./Pkg.	

## Argon - 24" Mountain-Bike rear wheel &amp; hand rim (5162)

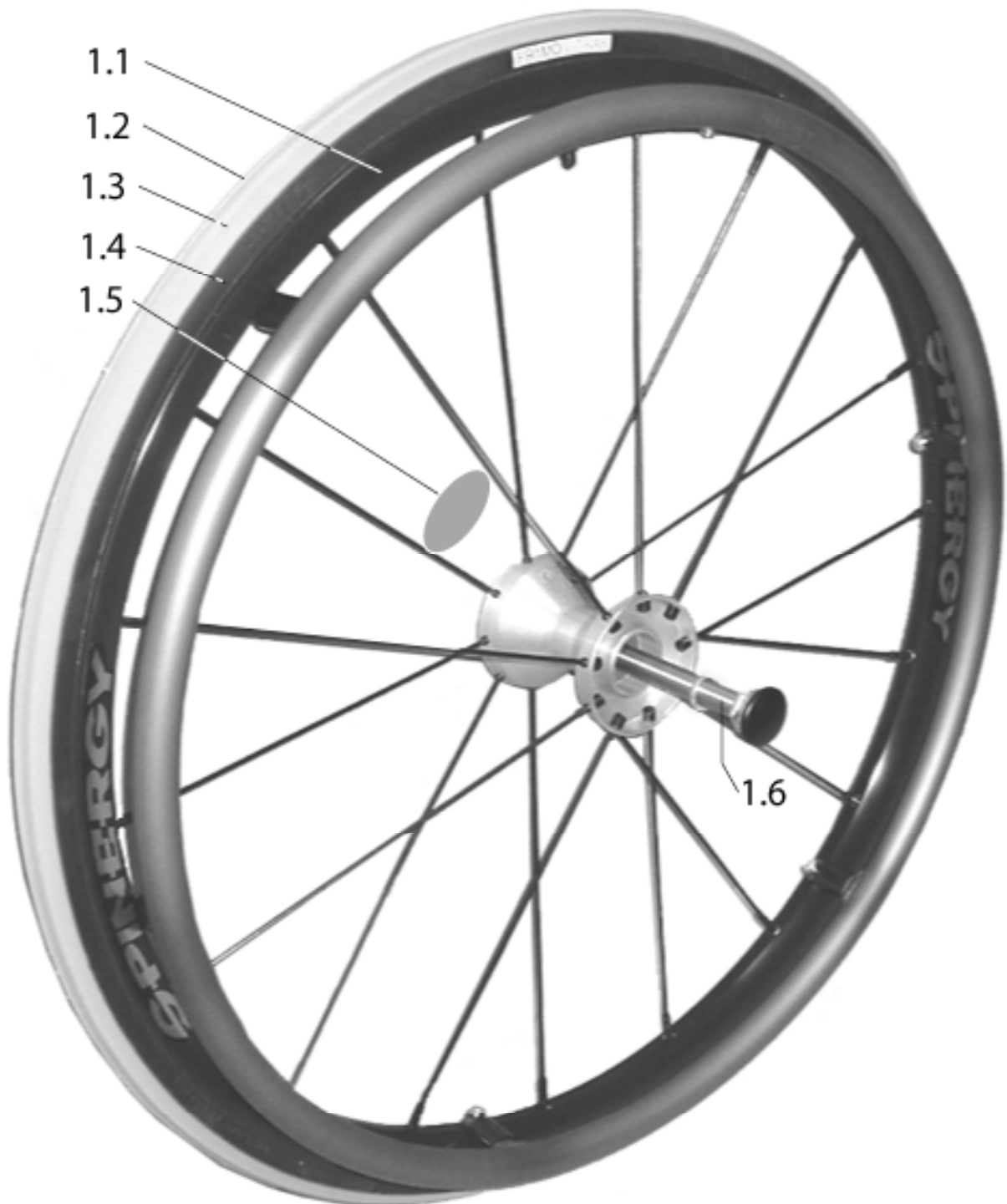


Pos.	Item number	Description	Remark/Qty	Options
1.1-1.3	SOP-000 851 319	24" Mountain-Bike rear wheel with quick-release axle, tyre and handrim		
1.1,1.3	SOP-000 851 320	24" mountain bike rear wheel with quick-release axle and hand rim (without tyre)		
o.B.	SOP-000 857 425	24" Mountain-Bike tyre		
o.B.	SOP-000 220 253	Quick-release axle for Mountain-Bike rear wheel		
o.B.	SOP-000 283 111-ET	24" inner tube	10 items/pack	

Argon - 24" Mountain-Bike rear wheel & hand rim (5162) [Stand: 01/2005]

Pos.	Item number	Description	Remark/Qty	Options
o.B.	SOP-000 283 160-ET	24" tube protector	10 items/pack	

## Argon - Spinerger wheel (5159)



Pos.	Item number	Description	Remark/Qty	Options
1.1,1.6-1.7	Q761822.01	24" Spinerger wheel (540) with quick-release axle, tyres and hand rim (without tyre)		
1.1,1.6-1.7	Q761833.01	26" Spinerger wheel (590) with quick-release axle, tyres and hand rim (without tyre)		
1.2-1.4	SOP-000 857 224.01	24" x 1" tyre, grey, easy-run fine tread complete (tyre, tube & tube protector)		

Argon - Spinergy wheel (5159) [Stand: 01/2007]

Pos.	Item number	Description	Remark/Qty	Options
1.2-1.4	SOP-000 857 226.02	26" x 1" tyre, grey, easy-run rugged tread complete (tyre, tube & tube protector)		
1.2	SOP-000 283 037	24" Downtown - Two grip tyre	10 items/pack	
1.2	SOP-000 283 036	24" tyre, Marathon Plus, solid, rugged tread		
1.2	SOP-000 283 013	24" x 1" tyre, easy-run rugged tread, grey		
1.2	SOP-000 283 014	24" x 1" tyre, grey, easy-run, fine tread		
1.2	SOP-000 283 017	24" x 1" solid tyre		
1.2	SOP-000 283 029	24" Innova tyre, superlight		
1.2	SOP-000 283 003	26" x 1" tyre, grey, easy-run, rugged tread		
1.2	SOP-000 283 026	26" x 1" tyre, grey, easy-run, fine tread		
1.3	SOP-000 283 113	24" x 1" pneumatic inner tube		
1.3	SOP-000 283 111-ET	24" Inner tube, for Downtown - Two grip	10 St./Pkg.	
1.3	SOP-000 283 103	25" / 26" inner tube	10 items/pack	
1.3	SOP-000 283 104-ET	26" x 1" inner tube for fine tread	10 St./Pkg.	
1.4	SOP-000 283 152-ET	24" rim strip (17mm)	10 St./Pkg.	
1.4	SOP-000 283 160-ET	24" rim strip (19 mm) for Downtown - Two grip	10 St./Pkg.	
1.4	SOP-000 283 153-ET	26" rim strip	10 St./Pkg.	
1.5	SOP-000 280 001-ET	Spoke reflector	10 St./Pkg.	
1.6	SOP-617 253 001	Spinergy quick release axle 109 mm		
	SOP-000 857 224.02	24" x 1" tyre, grey, easy-run rugged tread complete (tyre, tube & tube protector)		
	SOP-000 857 226.01	26" x 1" tyre, grey, easy-run fine tread complete (tyre, tube & tube protector)		



## Argon - Spoke Guards

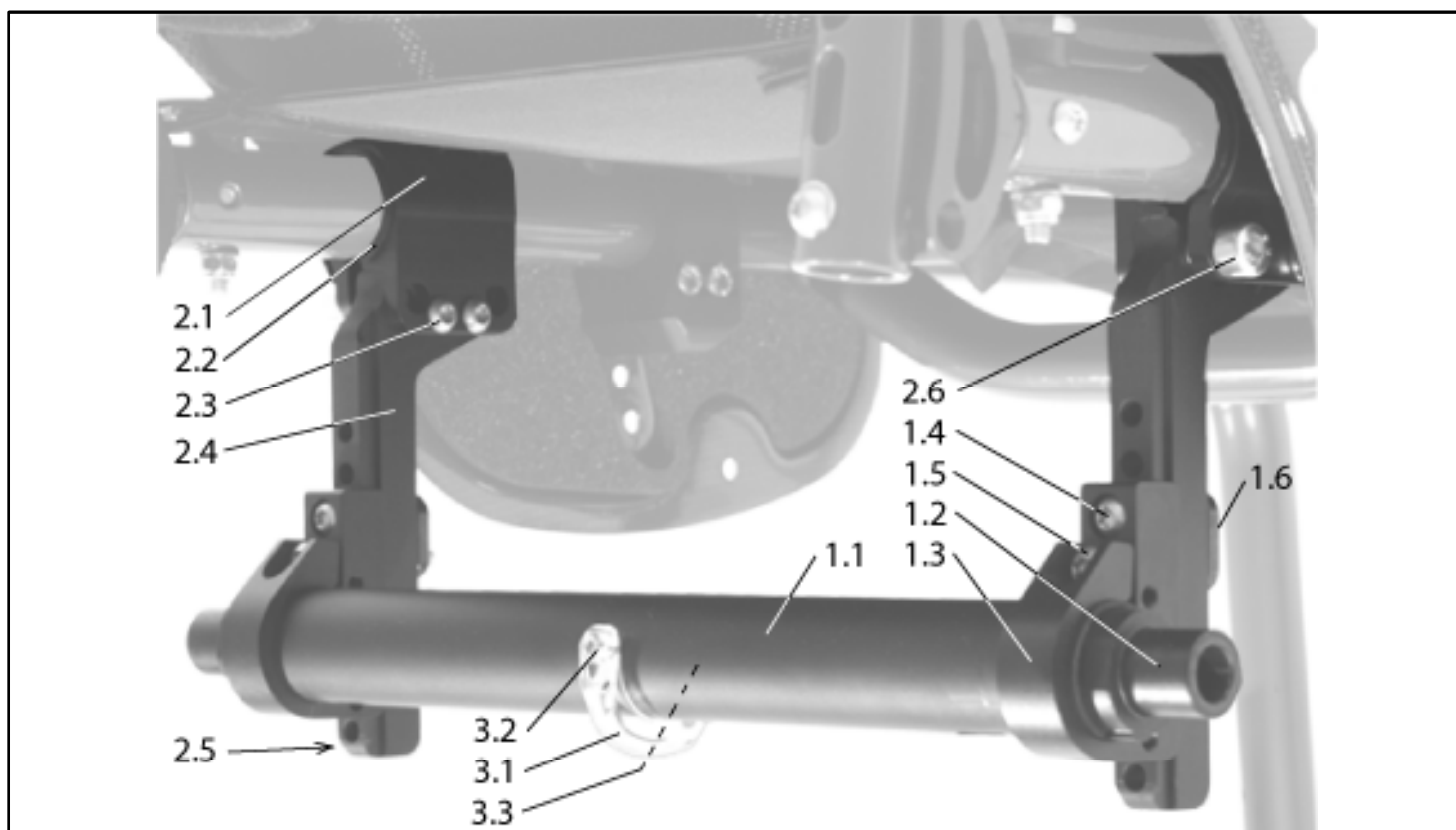


Pos.	Item number	Description	Remark/Qty	Options
1.1	SOP-000 856 026.01	24" Bibbo spokeguard complete (5129)	ea	
1.2	SOP-000 856 355	24" Cheese spokeguard complete (5135)	ea	
1.3	SOP-000 856 365	24" Galactica spokeguard complete (5134)	ea	
1.4	SOP-000 856 144.01	24" Graphik spokeguard complete (5128)	ea	
1.5	SOP-000 856 028.01	24" Fantasy spokeguard complete (5130)	ea	
1.6	SOP-000 856 134.01	24" Rotation spokeguard complete (5127)	ea	
1.7	SOP-000 856 034.01	24" Transparent spokeguard complete (5131)	ea	
1.7	SOP-000 856 036.01	26" Transparent spokeguard complete (5131)	ea	

**Argon - Spoke Guards** [Stand: 11/2004]

Pos.	Item number	Description	Remark/Qty	Options
o.B.	SOP-000 118 004-ET	Fastener for spokeguard	25 items/pack	

## Argon - Axle tube unit (5161)

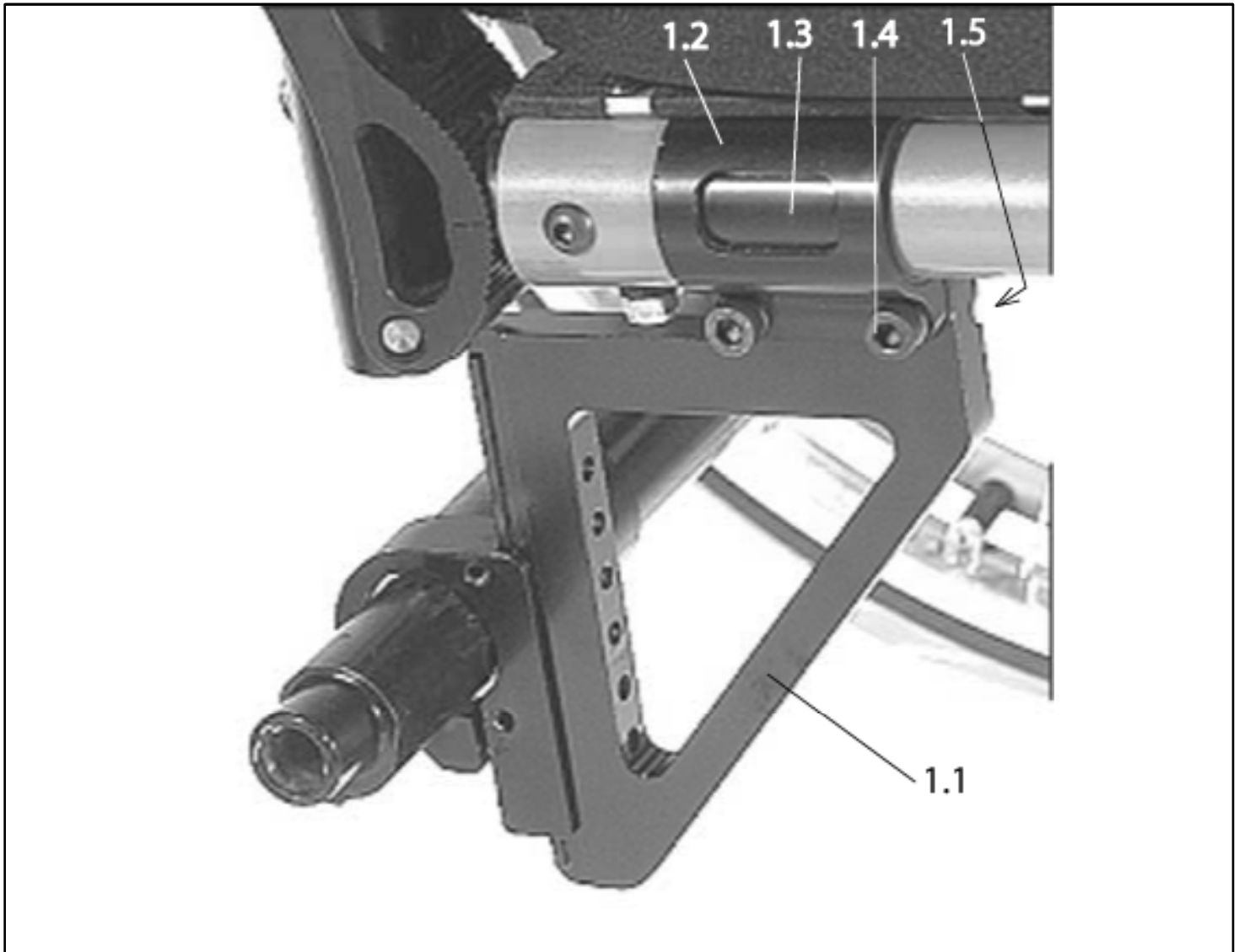


Pos.	Item number	Description	Remark/Qty	Options
1.1-3.2	SOP-051531	Axle tube unit with angle adapter and add-on parts complete		SW:...? CBA:...?
1.1-1.6	SOP-051551	Axle tube with angle adapter complete		SW:...? CBA:...?
1.2	SOP-051504-ET	0° angle adapter	2 items/pack	
1.2	SOP-051503-ET	3° angle adapter	2 items/pack	
1.2	SOP-051502-ET	6° angle adapter	2 items/pack	
1.2	SOP-051501-ET	9° angle adapter	2 items/pack	
1.3	051544	Axle clamp	2 P./Pac.	
1.4	SOP-000 102 304.01-E	M 6 x 35 oval-head screw with Torx drive	25 items/pack	
1.5	SOP-000 102 056.01ET	M 6 x 45 oval-head screw with Torx drive	25 items/pack	
1.6	SOP-050054-ET	Threaded plate	4 items/pack	
2.1-2.6	SOP-051552	Perforated plate complete	RH & LH	
2.3	SOP-000 102 309.01ET	M 6 x 16 oval-head screw with Torx drive	25 items/pack	
2.5	SOP-050107-ET	Plastic buffer	10 items/pack	
2.6	SOP-000 102 129-ET	M 8 x 20 DIN 912 cheese head screw	10 items/pack	

---

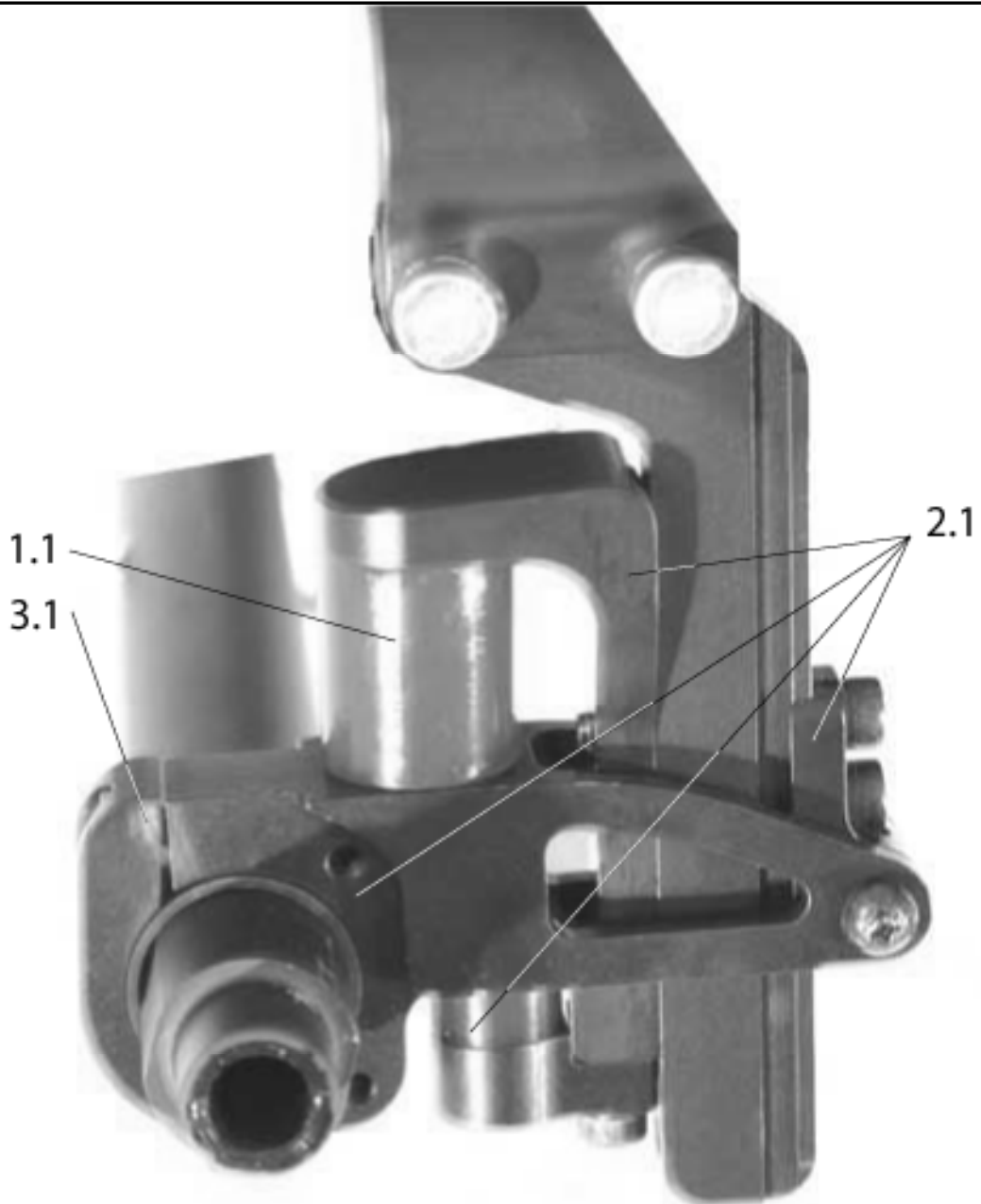
Pos.	Item number	Description	Remark/Qty	Options
3.1-3.4	SOP-051553	Wheel camber - adjustment aid complete		

## Argon - Amputee Axle (5235)



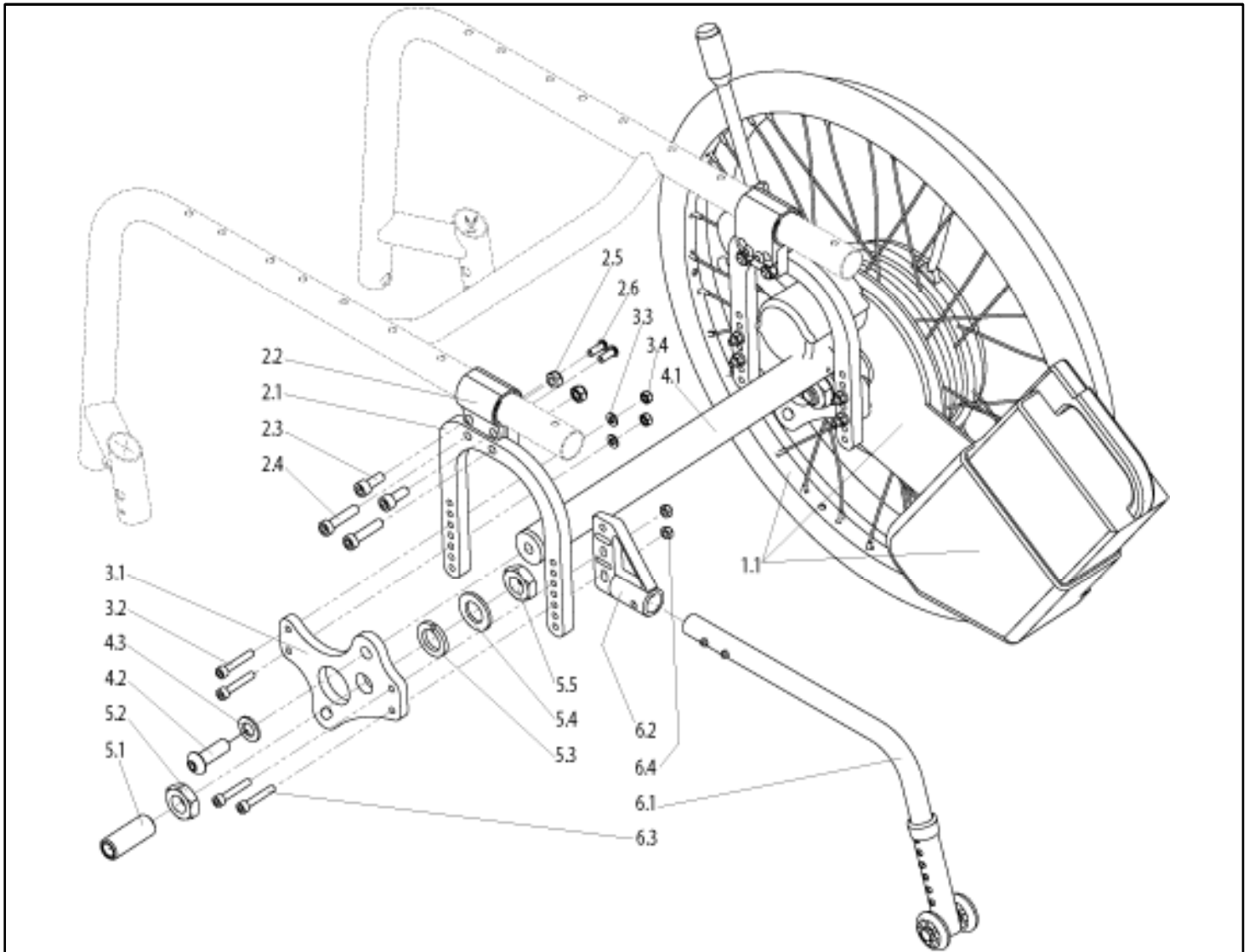
Pos.	Item number	Description	Remark/Qty	Options
1.1-1.5	SOP-051554	Wheelbase extension	RH & LH	
1.2-1.5	SOP-051555	Frame add-on for wheelbase extension	RH & LH	
1.3	SOP-050101	Sleeve axle plate		
1.4	SOP-000 102 129-ET	M 8 x 20 DIN 912 cheese head screw	10 items/pack	
1.5	SOP-000 102 309.01ET	M 6 x 16 oval-head screw with Torx drive	25 items/pack	

**Argon - Suspension system (5184)**



Pos.	Item number	Description	Remark/Qty	Options
1.1-3.1	SOP-051529	Suspension system cpl.	RH & LH usable	USWT:..?
1.1	SOP-051559	Elastomer yellow for 45 Kg user weight	2 Pc/Pac.	
1.1	SOP-051560	Elastomer red for 46-85 Kg user weight	2 Pc/Pac.	
1.1	SOP-051561	Elastomer blue for 87-120 Kg user weight	2 Pc/Pac.	
3.1	SOP-000 102 011-ET	Socket cap screw M 6 x 16 DIN 912	25 Pc/Pac.	

**Argon - Power 105 Adapter Kit (Quickie Extender) (**



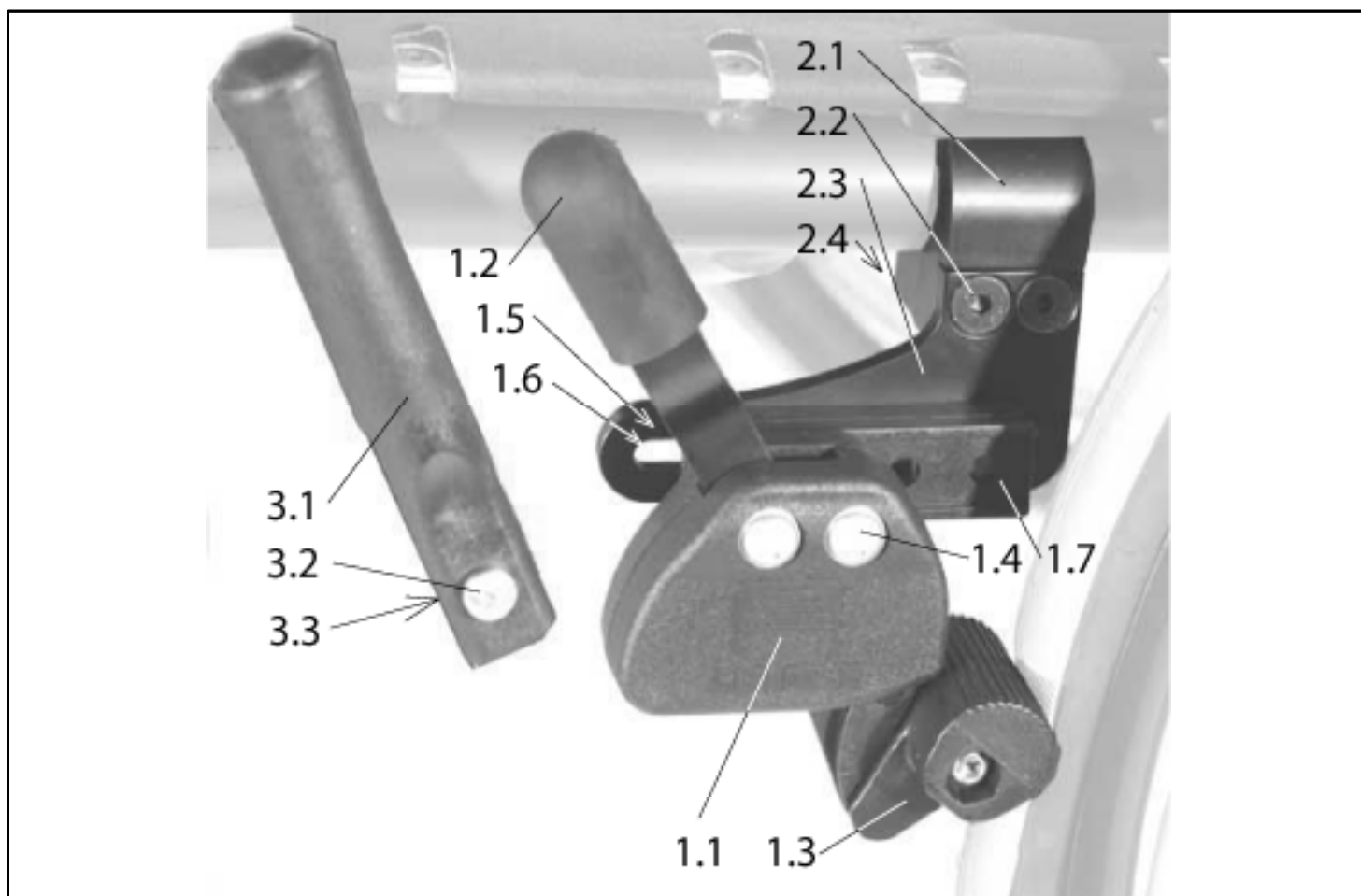
Pos.	Item number	Description	Remark/Qty	Options
1.1 - 6.4	SOP-051540	Power 105 drive with anti tip tubes and adapter set cpl.		Servo:...? SW:...?
1.1	SOP-405 900 000	Power 105 drive	Pair	Servo:...?
2.1 - 6.4	SOP-051545	Adapter set Power 105, Argon, with anti tip tubes	Pair	SW:...?
2.1, 2.3- 2.6	SOP-051578	Axle plate for Power 105 drive (without clamp 2.2)	Pair	
2.3	SOP-000 102 129-ET	Socket head screw M 8 x 20 - DIN 912	10 Pc/Pac	
2.4	SOP-000 102 098-ET	Socket head screw M 8 x 35 - DIN 912	25 Pc/Pac	
2.5	SOP-000 128 018-ET	Hex nut M 8 - DIN 985	25 Pc/Pac	
2.6	SOP-058900-003-ET	Socket head screw M 6 x 16 - DIN 912	25 Pc/Pac	

**Argon - Power 105 Adapter Kit (Quickie Extender) ( [Stand: 10/2007]**

Pos.	Item number	Description	Remark/Qty	Options
3.1 - 3.4	SOP-051579	Plate, rear wheel adapter incl. fitting components	Pair	
3.2	SOP-058900-008- ET	Socket head screw M 6 x 35 - DIN 912	25 Pc/Pac	
3.3	SOP-000 130 107-ET	Washer A 6,4 - DIN 125	25 Pc/Pac	
3.4	SOP-000 128 007-ET	Hex nut M 6 - DIN 985	25 Pc/Pac	
4.1 - 4.3	SOP-051576	Axle tube for Power 105 cpl.		SW:...?
4.2	SOP-000 102 020-ET	Socket head screw M 12 x 35 - DIN 912	10 Pc/Pac	
4.3	SOP-000 130 122-ET	Washer A 13 - DIN 125	10 Pc/Pac	
5.1 - 5.5	SOP-051571	Rear wheel adapter (0 deg) for Power 105	Pair	
5.2, 5.5	SOP-000 128 025-ET	Hex nut M 20 - DIN 936	10 Pc/Pac	
5.3	SOP-000 130 118-ET	Washer A 21 - DIN 125	10 Pc/Pac	
5.4	SOP-000 133 011-ET	Lock washer 20 mm - form B - DIN 127	10 Pc/Pac	
6.1 - 6.4	SOP-051577	Anti tip tubes with P 105 adapter	Pair	
6.3	SOP-058900-008- ET	Socket head screw M 6 x 35 - DIN 912	25 Pc/Pac	
6.4	SOP-000 128 007-ET	Hex nut M 6 - DIN 985	25 Pc/Pac	



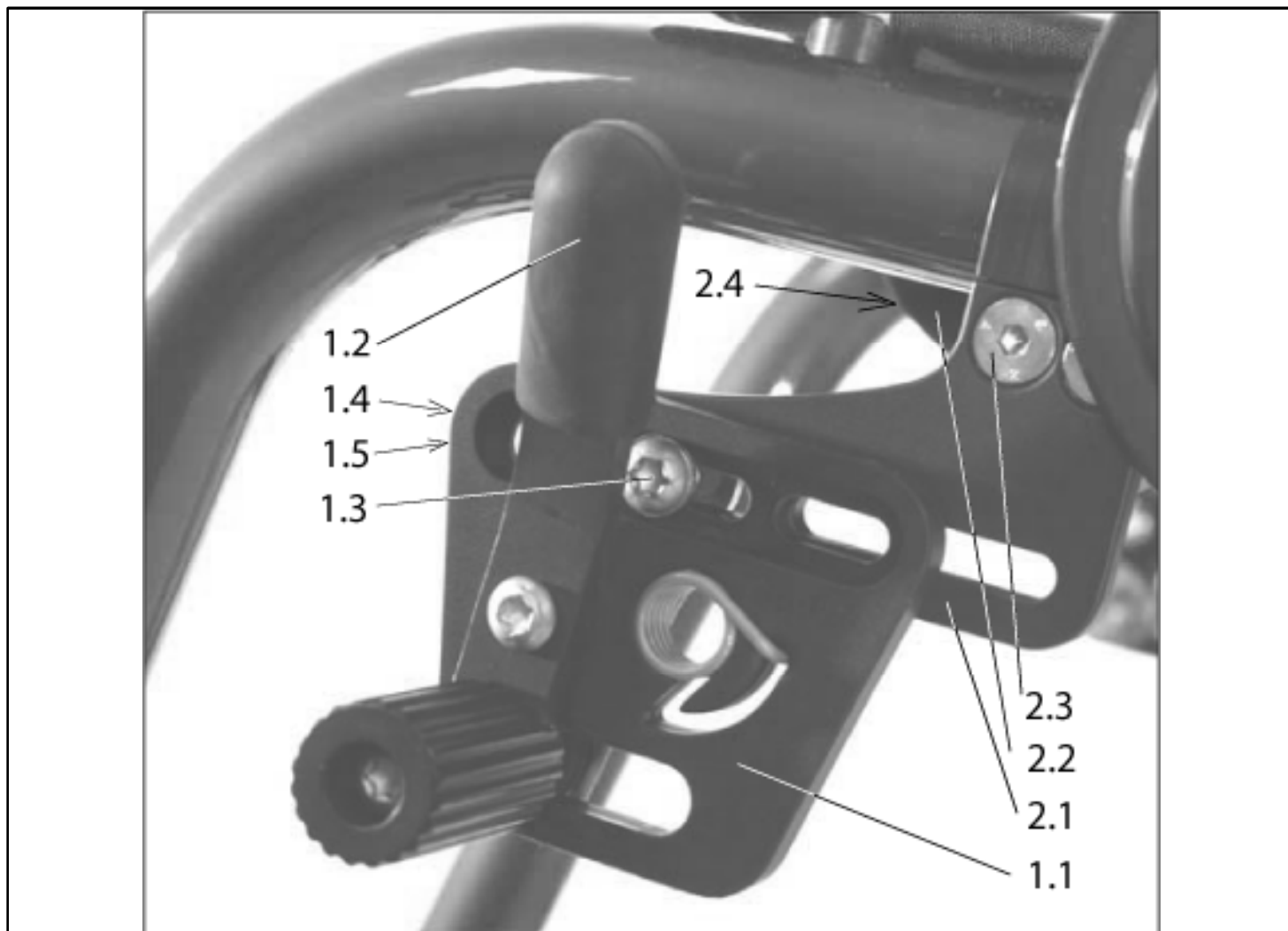
## Argon - Knee lever brakes &amp; extension (6008 &amp; 6016)



Pos.	Item number	Description	Remark/Qty	Options
1.1-2.3	SOP-051605-000	Knee lever brakes with frame fixing, complete	Pair	
1.1-2.3	SOP-051605-001	Knee lever brake with frame fixing, complete	RH	
1.1-2.3	SOP-051605-002	Knee lever brake with frame fixing, complete	LH	
1.1-1.3	SOP-000 961 260	Knee lever brakes	Pair	
1.1-1.3	SOP-000 861 260	Knee lever brake	RH	
1.1-1.3	SOP-000 761 260	Knee lever brake	LH	
1.2	SOP-000 861156-ET	Brake lever - cover	5 items/pack	
1.3	SOP-000 861 252	Brake bolts with screw fixing complete	1 item	
1.4	SOP-000 102 314.01ET	M 6 x 55 oval-head screw with Torx drive	25 items/pack	
1.4-1.7	SOP-000 861 261	Fitting accessories with base complete	For one side	
1.5/2.4	SOP-000 128 007-ET	M 6 DIN 985 hex nut	25 items/pack (not visible)	
2.1-2.4	SOP-051608	Frame fixing for standard and knee lever brake	RH	
2.1-2.4	SOP-051609	Frame fixing for standard and knee lever brake	LH	

Pos.	Item number	Description	Remark/Qty	Options
2.2	SOP-000 104 067-ET	M 6 x 45 DIN 7991 countersunk screw	10 items/pack	
3.1-3.3	SOP-000 861 253	Brake lever extension complete	2 items/pack	
3.2	SOP-000 102 066-ET	M 5 x 20 oval-head screw DIN 7985	12 items/pack	
3.3	SOP-000 128 006-ET	M 5 DIN 986 low cap nut	25 items/pack	

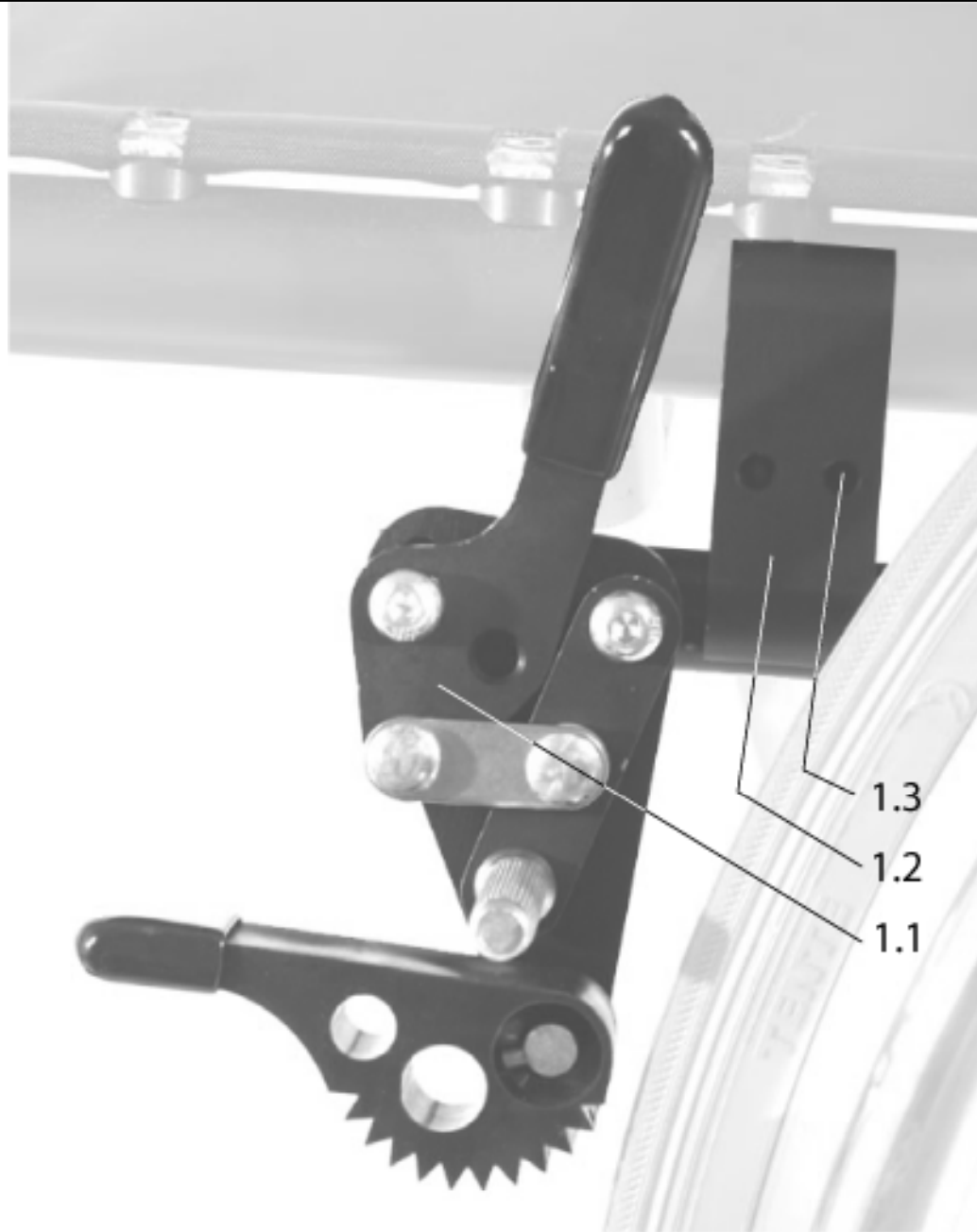
## Argon - Standard brakes with frame fixing (6009)



Pos.	Item number	Description	Remark/Qty	Options
1.1-2.4	SOP-051604-000	Standard brakes with frame fixing complete	Pair	
1.1-2.4	SOP-051604-001	Standard brake with frame fixing complete	RH	
1.1-2.4	SOP-051604-002	Standard brake with frame fixing complete	LH	
1.1-1.2	SOP-760 861 050	Standard brake	RH	
1.1-1.2	SOP-760 761 050	Standard brake	LH	
1.2	SOP-000 861 156-ET	Brake lever cover	5 items/pack	
2.1-2.4	SOP-051608	Frame fixing for standard and knee lever brake complete	RH	
2.1-2.4	SOP-051609	Frame fixing for standard and knee lever brake complete	LH	
2.2	SOP-000 104 067-ET	M 6 x 45 DIN 7991 countersunk screw	10 items/pack	
1.3	SOP-000 102 307.01ET	M 6 x 20 oval-head screw with Torx drive	25 items/pack	
1.4	SOP-000 130 007-ET	A 6,4 DIN 125 washer	(not visible) 10 items/pack	

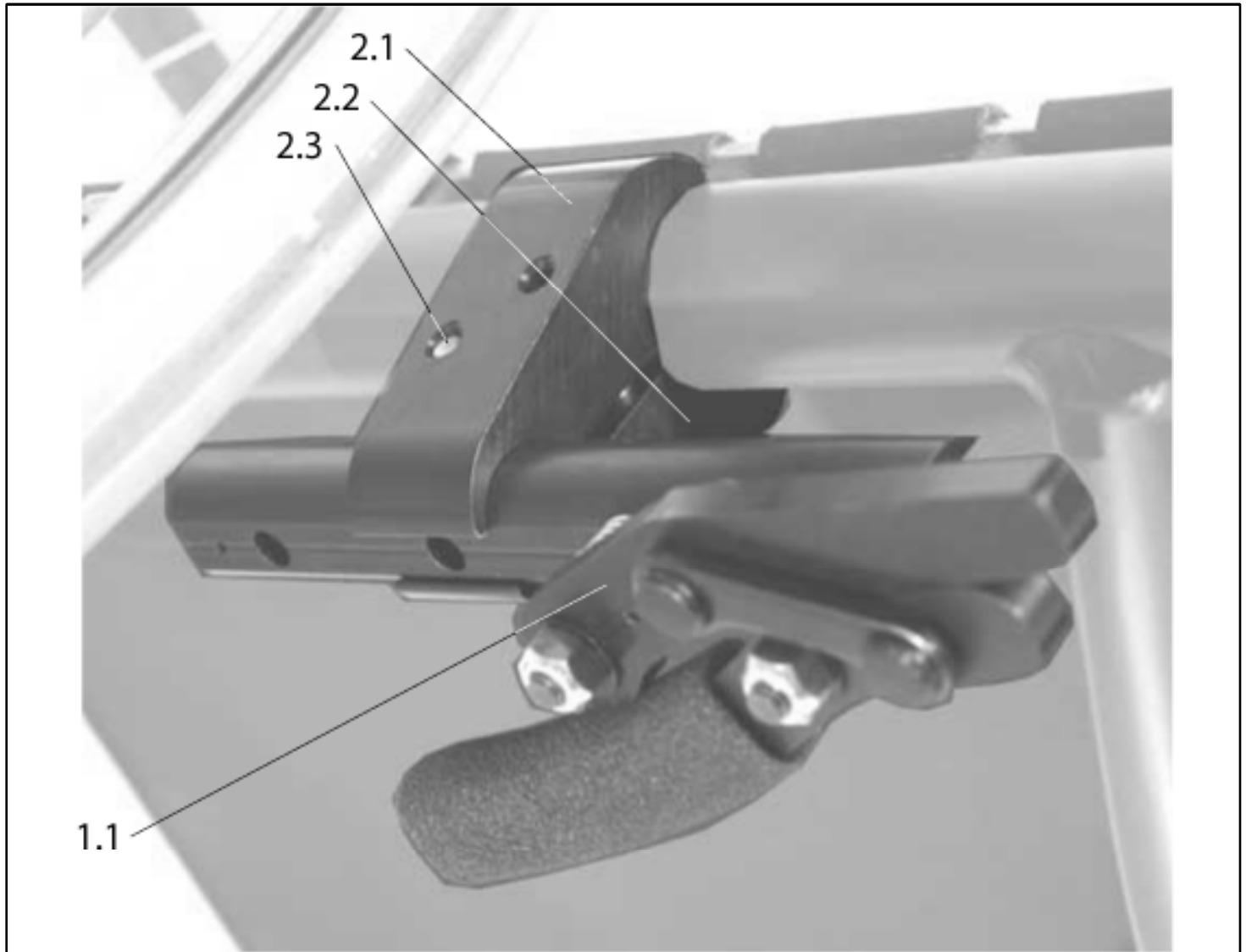
Pos.	Item number	Description	Remark/Qty	Options
1.5/2.4	SOP-000 128 007-ET	M 6 DIN 985 hex nut	(not visible) 25 items/pack	

## Argon - Knee lever brakes with Grade Aid (6005)



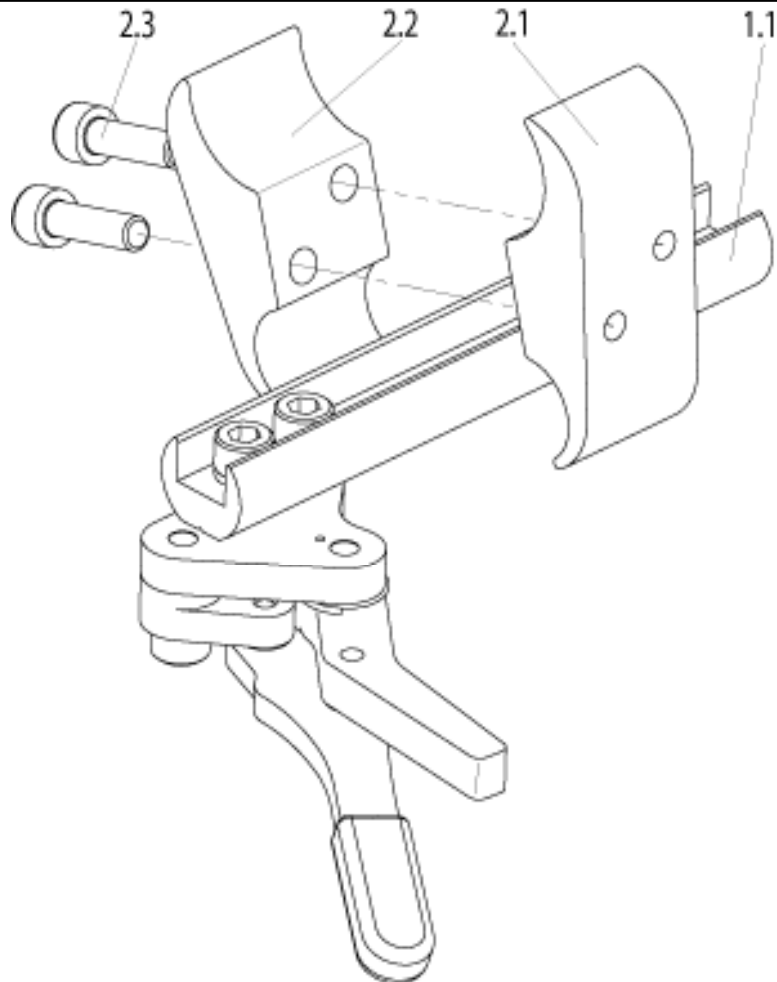
Pos.	Item number	Description	Remark/Qty	Options
1.1-1.3	SOP-051606-000	Knee lever brakes with anti-roll back complete	Pair	
1.1-1.3	SOP-051606-001	Knee lever brake with anti-roll back complete	RH	
1.1-1.3	SOP-051606-002	Knee lever brake with anti-roll back complete	LH	
1.1	SOP-051613	Knee lever brake with anti-roll back	RH	
1.1	SOP-051614	Knee lever brake with anti-roll back	LH	
1.2-1.3	SOP-051615	Frame fixing for knee lever brake with anti-roll back	RH & LH	
1.3	SOP-000 102 130-ET	M 6 x 25 DIN 912 cheese head screw	25 items/pack	

**Argon - Scissor brakes (6004)**



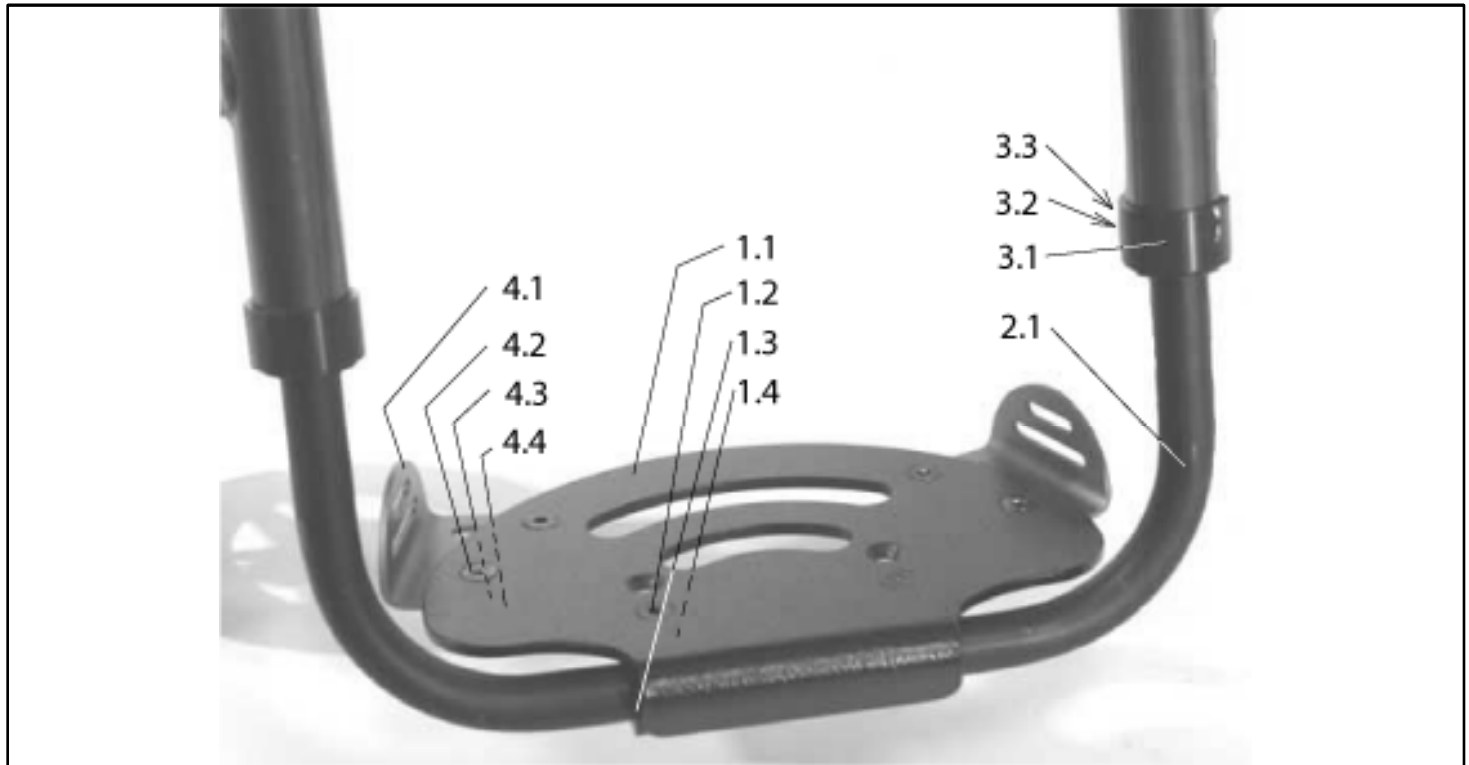
Pos.	Item number	Description	Remark/Qty	Options
1.1-2.3	SOP-051607-000	Scissor brakes with frame add-on complete	Pair	
1.1-2.3	SOP-051607-001	Scissor brake with frame add-on complete	RH	
1.1-2.3	SOP-051607-002	Scissor brake with frame add-on complete	LH	
1.1	SOP-051610	Scissor brakes	RH	
1.1	SOP-051611	Scissor brakes	LH	
2.1-2.3	SOP-051612	Frame add-on for scissor brake	RH & LH	
2.3	SOP-000 102 004-ET	M 6 x 20 DIN 912 cheese head screw	25 items/pack	

## Argon - Compact - Wheel-Lock (6003)



Pos.	Item number	Description	Remark/Qty	Options
1.1-2.3	SOP-054619-000	Compact wheel locks with clamps cpl.	Pair	
1.1-2.3	SOP-054619-001	Compact wheel lock with clamps cpl.	right	
1.1-2.3	SOP-054619-002	Compact wheel lock with clamps cpl.	left	
1.1	SOP-052169-001	Compact wheel lock with	right	
1.1	SOP-052170-001	Compact wheel lock with	left	
2.1-2.3	SOP-051612	Wheel lock clamps cpl.	RH & LH usable	
2.3	SOP-000 102 004-ET	Cheese head screw M 6 x 20 DIN 912	25 Pc/Pac.	

**Argon -Platform footrest angle and depth adjustable (2101)**



Pos.	Item number	Description	Remark/Qty	Options
1.1-1.4	SOP-051201	Foot board		SW:...? FRCR:...?
1.2	SOP-000 104 069-ET	M 6 x 25 DIN 7991 countersunk screw	10 St./Pkg.	
2.1	SOP-051203	Foot bar for angle-adjustable footrest	Pair	SW:...? FRAME INSET:...? LLL:...?
3.1-3.3	SOP-051249	Fitting accessories for footrest	Pair	
3.2	SOP-C2.2012-ET	M 8 x 16 DIN 915 headless pin	10 items/pack	
3.3	SOP-050052-ET	Push joint for footrest assembly	6 items/pack	
4.1-4.4	SOP-765 821 004	Side stop for footboard	Pair	
4.2	SOP-000 104 010-ET	M 6 x 16 DIN 7991 countersunk screw	25 items/pack	
4.3	SOP-000 130 116-ET	A 6,4 DIN 9021 washer	25 items/pack	
4.4	SOP-000 128 007-ET	M 6 DIN 985 hex nut	25 items/pack	
1.1	SOP-051252.001	Aluminium angle-adjustable footrest complete, UK SW 28 = EU SW 30, Standard Mounting, Inset 0		
1.1	SOP-051252.002	Aluminium angle-adjustable footrest complete, UK SW 30 = EU SW 32, Standard Mounting, Inset 0		
1.1	SOP-051252.003	Aluminium angle-adjustable footrest complete, UK SW 32 = EU SW 34, Standard Mounting, Inset 0		



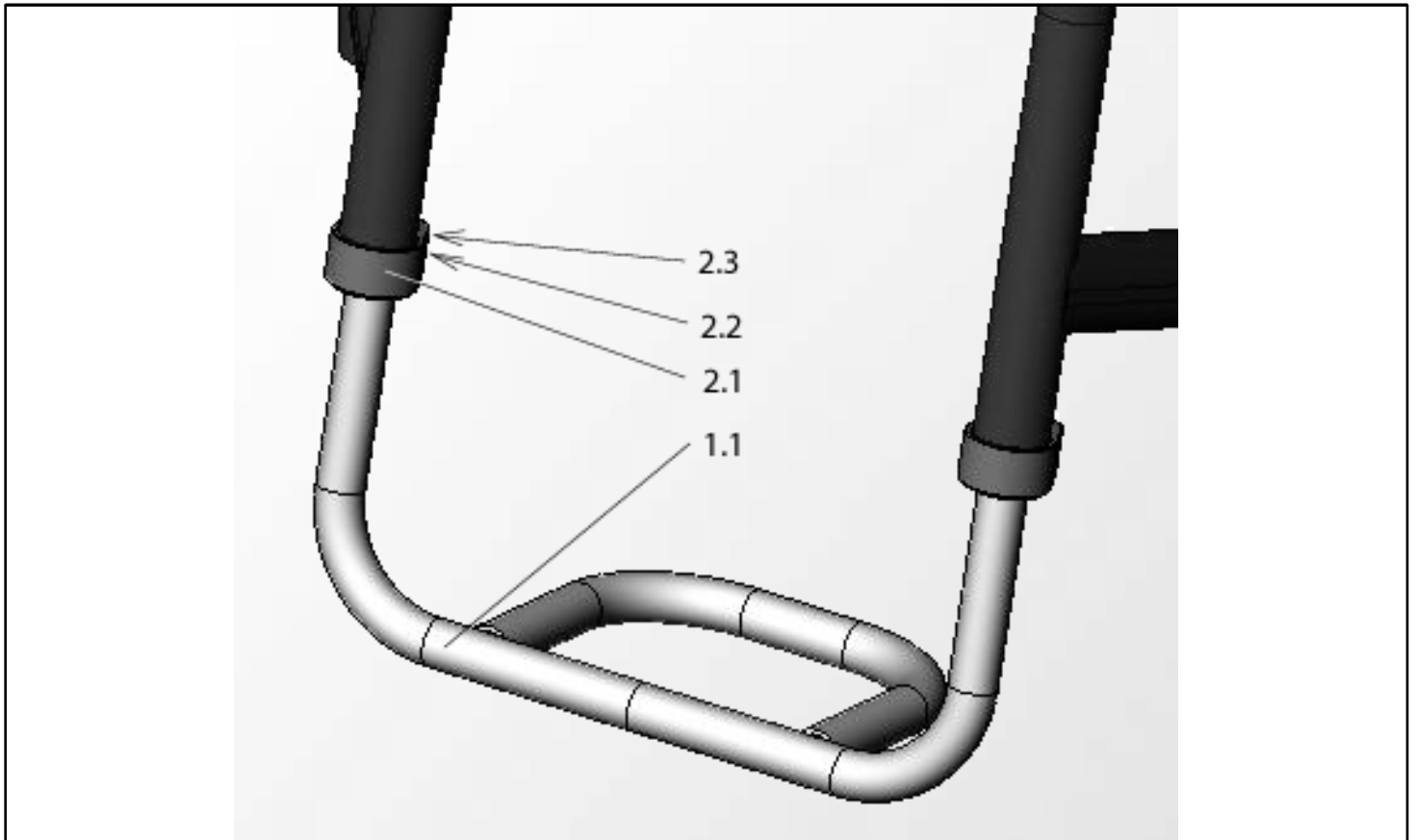
<b>Pos.</b>	<b>Item number</b>	<b>Description</b>	<b>Remark/Qty</b>	<b>Options</b>
1.1	SOP-051252.004	Aluminium angle-adjustable footrest complete, UK SW 34 = EU SW 36, Standard Mounting, Inset 0		
1.1	SOP-051252.005	Aluminium angle-adjustable footrest complete, UK SW 36 = EU SW 38, Standard Mounting, Inset 0		
1.1	SOP-051252.006	Aluminium angle-adjustable footrest complete, UK SW 38 = EU SW 40, Standard Mounting, Inset 0		
1.1	SOP-051252.007	Aluminium angle-adjustable footrest complete, UK SW 40 = EU SW 42, Standard Mounting, Inset 0		
1.1	SOP-051252.008	Aluminium angle-adjustable footrest complete, UK SW 42 = EU SW 44, Standard Mounting, Inset 0		
1.1	SOP-051252.009	Aluminium angle-adjustable footrest complete, UK SW 44 = EU SW 46, Standard Mounting, Inset 0		
1.1	SOP-051252.010	Aluminium angle-adjustable footrest complete, UK SW 46 = EU SW 48, Standard Mounting, Inset 0		
1.1	SOP-051252.011	Aluminium angle-adjustable footrest complete, UK SW 48 = EU SW 50, Standard Mounting, Inset 0		
1.1	SOP-051252.012	Aluminium angle-adjustable footrest complete, UK SW 28 = EU SW 30, high Mounting, Inset 0		
1.1	SOP-051252.013	Aluminium angle-adjustable footrest complete, UK SW 30 = EU SW 32, high Mounting, Inset 0		
1.1	SOP-051252.014	Aluminium angle-adjustable footrest complete, UK SW 32 = EU SW 34, high Mounting, Inset 0		
1.1	SOP-051252.015	Aluminium angle-adjustable footrest complete, UK SW 34 = EU SW 36, high Mounting, Inset 0		
1.1	SOP-051252.016	Aluminium angle-adjustable footrest complete, UK SW 36 = EU SW 38, high Mounting, Inset 0		
1.1	SOP-051252.017	Aluminium angle-adjustable footrest complete, UK SW 38 = EU SW 40, high Mounting, Inset 0		
1.1	SOP-051252.018	Aluminium angle-adjustable footrest complete, UK SW 40 = EU SW 42, high Mounting, Inset 0		
1.1	SOP-051252.019	Aluminium angle-adjustable footrest complete, UK SW 42 = EU SW 44, high Mounting, Inset 0		
1.1	SOP-051252.020	Aluminium angle-adjustable footrest complete, UK SW 44 = EU SW 46, high Mounting, Inset 0		
1.1	SOP-051252.021	Aluminium angle-adjustable footrest complete, UK SW 46 = EU SW 48, high Mounting, Inset 0		
1.1	SOP-051252.022	Aluminium angle-adjustable footrest complete, UK SW 48 = EU SW 50, high Mounting, Inset 0		
1.1	SOP-051252.023	Aluminium angle-adjustable footrest complete, UK SW 28 = EU SW 30, Standard Mounting, Inset 2		
1.1	SOP-051252.024	Aluminium angle-adjustable footrest complete, UK SW 30 = EU SW 32, Standard Mounting, Inset 2		
1.1	SOP-051252.025	Aluminium angle-adjustable footrest complete, UK SW 32 = EU SW 34, Standard Mounting, Inset 2		
1.1	SOP-051252.026	Aluminium angle-adjustable footrest complete, UK SW 34 = EU SW 36, Standard Mounting, Inset 2		
1.1	SOP-051252.027	Aluminium angle-adjustable footrest complete, UK SW 36 = EU SW 38, Standard Mounting, Inset 2		
1.1	SOP-051252.028	Aluminium angle-adjustable footrest complete, UK SW 38 = EU SW 40, Standard Mounting, Inset 2		

**Argon -Platform footrest angle and depth adjustable (2101) [Stand: 03/2005]**

Pos.	Item number	Description	Remark/Qty	Options
1.1	SOP-051252.029	Aluminium angle-adjustable footrest complete, UK SW 40 = EU SW 42, Standard Mounting, Inset 2		
1.1	SOP-051252.030	Aluminium angle-adjustable footrest complete, UK SW 42 = EU SW 44, Standard Mounting, Inset 2		
1.1	SOP-051252.031	Aluminium angle-adjustable footrest complete, UK SW 44 = EU SW 46, Standard Mounting, Inset 2		
1.1	SOP-051252.032	Aluminium angle-adjustable footrest complete, UK SW 46 = EU SW 48, Standard Mounting, Inset 2		
1.1	SOP-051252.033	Aluminium angle-adjustable footrest complete, UK SW 48 = EU SW 50, Standard Mounting, Inset 2		
1.1	SOP-051252.034	Aluminium angle-adjustable footrest complete, UK SW 28 = EU SW 30, high Mounting, Inset 2		
1.1	SOP-051252.035	Aluminium angle-adjustable footrest complete, UK SW 30 = EU SW 32, high Mounting, Inset 2		
1.1	SOP-051252.036	Aluminium angle-adjustable footrest complete, UK SW 32 = EU SW 34, high Mounting, Inset 2		
1.1	SOP-051252.037	Aluminium angle-adjustable footrest complete, UK SW 34 = EU SW 36, high Mounting, Inset 2		
1.1	SOP-051252.038	Aluminium angle-adjustable footrest complete, UK SW 36 = EU SW 38, high Mounting, Inset 2		
1.1	SOP-051252.039	Aluminium angle-adjustable footrest complete, UK SW 38 = EU SW 40, high Mounting, Inset 2		
1.1	SOP-051252.040	Aluminium angle-adjustable footrest complete, UK SW 40 = EU SW 42, high Mounting, Inset 2		
1.1	SOP-051252.041	Aluminium angle-adjustable footrest complete, UK SW 42 = EU SW 44, high Mounting, Inset 2		
1.1	SOP-051252.042	Aluminium angle-adjustable footrest complete, UK SW 44 = EU SW 46, high Mounting, Inset 2		
1.1	SOP-051252.043	Aluminium angle-adjustable footrest complete, UK SW 46 = EU SW 48, high Mounting, Inset 2		
1.1	SOP-051252.044	Aluminium angle-adjustable footrest complete, UK SW 48 = EU SW 50, high Mounting, Inset 2		
1.1	SOP-051252.045	Aluminium angle-adjustable footrest complete, UK SW 28 = EU SW 30, Standard Mounting, Inset 4		
1.1	SOP-051252.046	Aluminium angle-adjustable footrest complete, UK SW 30 = EU SW 32, Standard Mounting, Inset 4		
1.1	SOP-051252.047	Aluminium angle-adjustable footrest complete, UK SW 32 = EU SW 34, Standard Mounting, Inset 4		
1.1	SOP-051252.048	Aluminium angle-adjustable footrest complete, UK SW 34 = EU SW 36, Standard Mounting, Inset 4		
1.1	SOP-051252.049	Aluminium angle-adjustable footrest complete, UK SW 36 = EU SW 38, Standard Mounting, Inset 4		
1.1	SOP-051252.050	Aluminium angle-adjustable footrest complete, UK SW 38 = EU SW 40, Standard Mounting, Inset 4		
1.1	SOP-051252.051	Aluminium angle-adjustable footrest complete, UK SW 40 = EU SW 42, Standard Mounting, Inset 4		
1.1	SOP-051252.052	Aluminium angle-adjustable footrest complete, UK SW 42 = EU SW 44, Standard Mounting, Inset 4		
1.1	SOP-051252.053	Aluminium angle-adjustable footrest complete, UK SW 44 = EU SW 46, Standard Mounting, Inset 4		

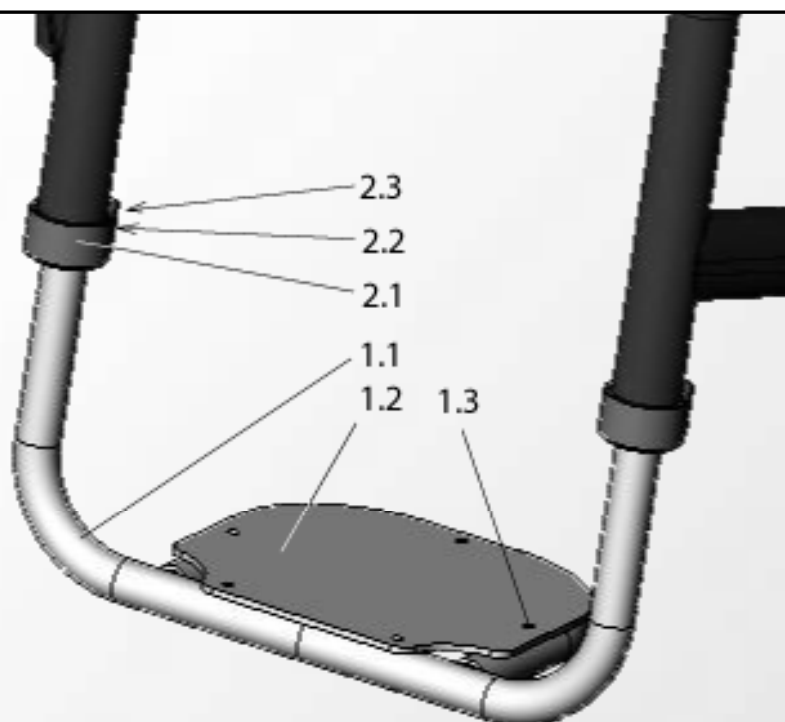
<b>Pos.</b>	<b>Item number</b>	<b>Description</b>	<b>Remark/Qty</b>	<b>Options</b>
1.1	SOP-051252.054	Aluminium angle-adjustable footrest complete, UK SW 46 = EU SW 48, Standard Mounting, Inset 4		
1.1	SOP-051252.055	Aluminium angle-adjustable footrest complete, UK SW 48 = EU SW 50, Standard Mounting, Inset 4		
1.1	SOP-051252.056	Aluminium angle-adjustable footrest complete, UK SW 28 = EU SW 30, high Mounting, Inset 4		
1.1	SOP-051252.057	Aluminium angle-adjustable footrest complete, UK SW 30 = EU SW 32, high Mounting, Inset 4		
1.1	SOP-051252.058	Aluminium angle-adjustable footrest complete, UK SW 32 = EU SW 34, high Mounting, Inset 4		
1.1	SOP-051252.059	Aluminium angle-adjustable footrest complete, UK SW 34 = EU SW 36, high Mounting, Inset 4		
1.1	SOP-051252.060	Aluminium angle-adjustable footrest complete, UK SW 36 = EU SW 38, high Mounting, Inset 4		
1.1	SOP-051252.061	Aluminium angle-adjustable footrest complete, UK SW 38 = EU SW 40, high Mounting, Inset 4		
1.1	SOP-051252.062	Aluminium angle-adjustable footrest complete, UK SW 40 = EU SW 42, high Mounting, Inset 4		
1.1	SOP-051252.063	Aluminium angle-adjustable footrest complete, UK SW 42 = EU SW 44, high Mounting, Inset 4		
1.1	SOP-051252.064	Aluminium angle-adjustable footrest complete, UK SW 44 = EU SW 46, high Mounting, Inset 4		
1.1	SOP-051252.065	Aluminium angle-adjustable footrest complete, UK SW 46 = EU SW 48, high Mounting, Inset 4		
1.1	SOP-051252.066	Aluminium angle-adjustable footrest complete, UK SW 48 = EU SW 50, high Mounting, Inset 4		

**Argon - Tubular Footrest (2106)**



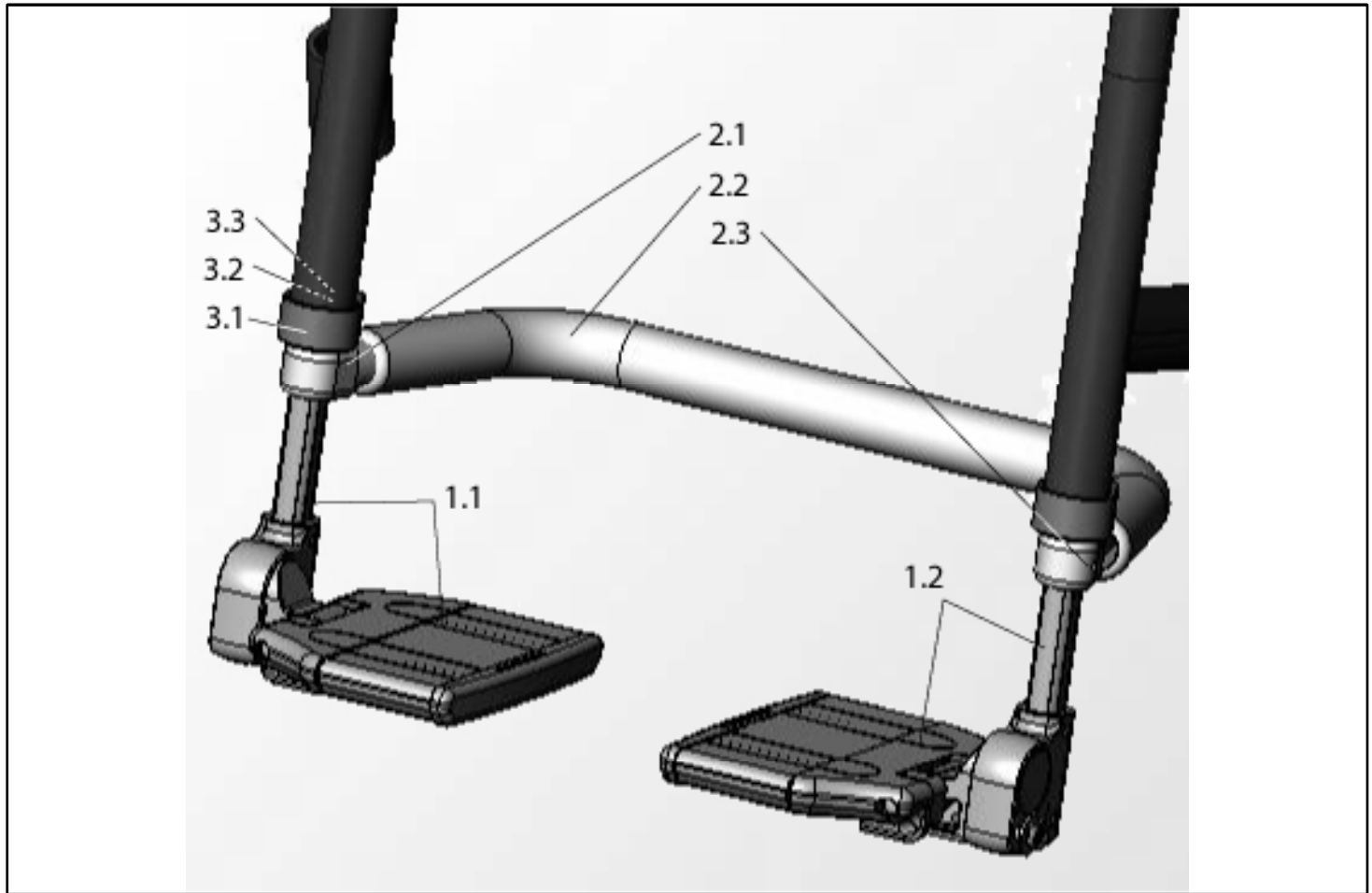
Pos.	Item number	Description	Remark/Qty	Options
1.1-2.3	SOP-051250	Footrest with bar and fitting accessories complete		SW:...? frame inset:...? LLL:...?
1.1	SOP-051205	Footrest with bar		SW:...? Frame inset:...? LLL:...?
2.1-2.3	SOP-051249	Fitting accessories for footrest	Pair	
2.2	SOP-C2.2012-ET	M 8 x 16 DIN 915 headless pin	10 items/pack	
2.3	SOP-050052-ET	Push joint for footrest assembly	6 items/pack	

## Argon - Tubular Footrest with Flat Cover (2105)



Pos.	Item number	Description	Remark/Qty	Options
1.1-2.3	SOP-051251	Footrest with bar and cover plate with fitting accessories complete		SW:...? Frame inset:...? LLL:...?
1.1-1.3	SOP-051207	Footrest with bar and cover plate		SW:...? Frame inset:...? LLL:...?
1.2-1.3	SOP-051208	Cover plate with rivets		SW:...? Frame inset:...?
1.3	SOP-000 144 013-ET	F 4 x 12 DIN 7337 blind rivet	50 items/pack	
2.1-2.3	SOP-051249	Fitting accessories for footrest	Pair	
2.2	SOP-C2.2012-ET	M 8 x 16 DIN 915 headless pin	10 items/pack	
2.3	SOP-050052-ET	Push joint for footrest assembly	6 items/pack	

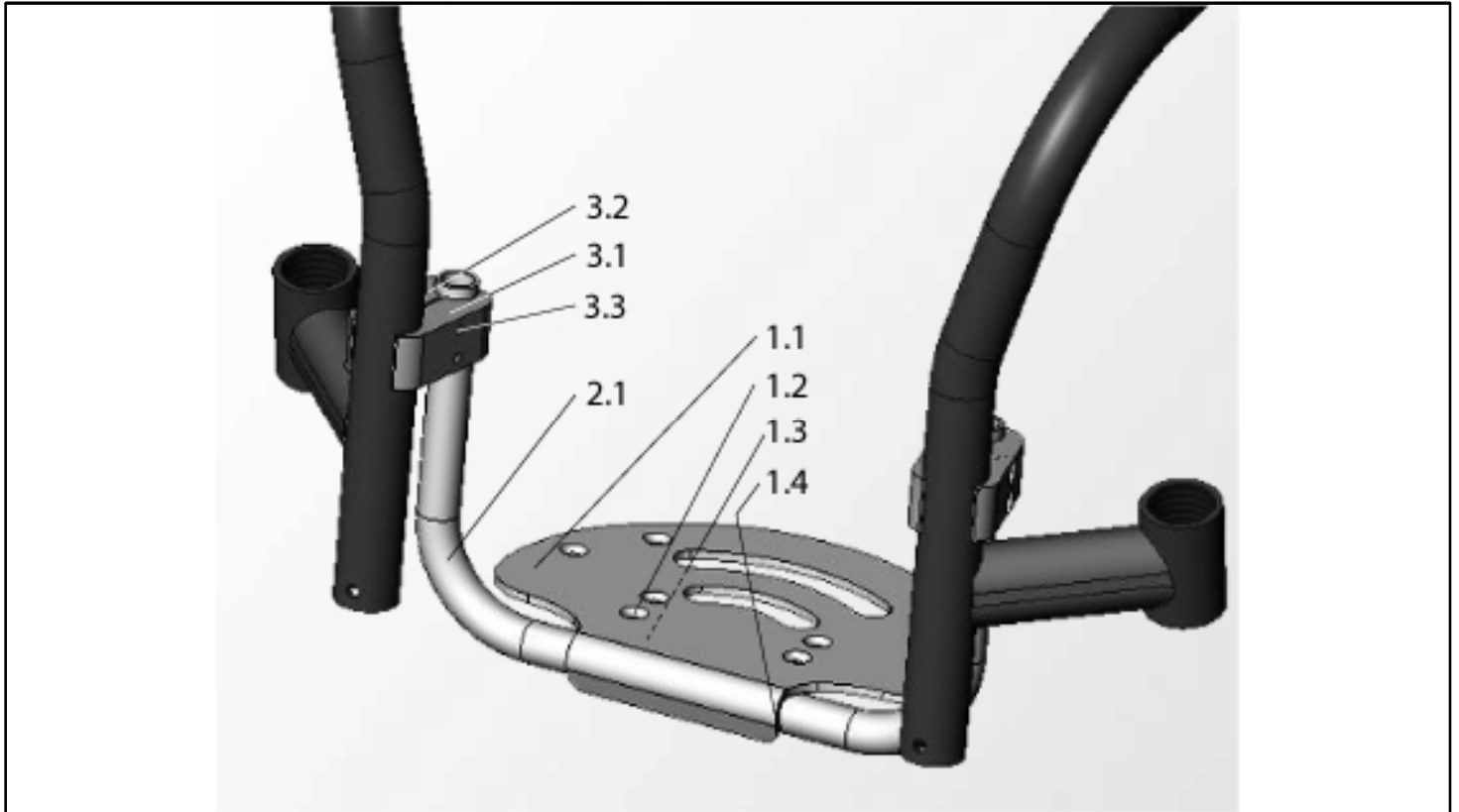
**Argon - Divided Footplates (2120)**



Pos.	Item number	Description	Remark/Qty	Options
1.1-2.3	SOP-051253	Two-part footrest complete		SW:...? Frame inset:...? LLL:...?
1.1	SOP-051210	Footboard	RH	SW:...? Frame inset:...? LLL:...?
1.2	SOP-051211	Footboard	LH	SW:...? Frame Inset:...? LLL:...?
2.1-2.3	SOP-051212	Stabilising rod for two-part footrest complete		SW:...? Frame Inset:...?
2.2	SOP-051213	Sponge rubber cover for stabilising rod		SW:...? Frame Inset:...?
2.3	SOP-000 105 010-ET	M 5 x 8 DIN 913 headless pin	10 items/pack	
3.1-3.3	SOP-051249	Fitting accessories for footrest		

Pos.	Item number	Description	Remark/Qty	Options
3.2	SOP-C2.2012-ET	M 8 x 16 DIN 915 headless pin	10 items/pack (not visible)	
3.3	SOP-050052-ET	Push joint for footrest assembly	6 items/pack	
o.B.	SOP-000 821 167	Slip resistant coating (Only available by the metre. Please indicate quantity)		

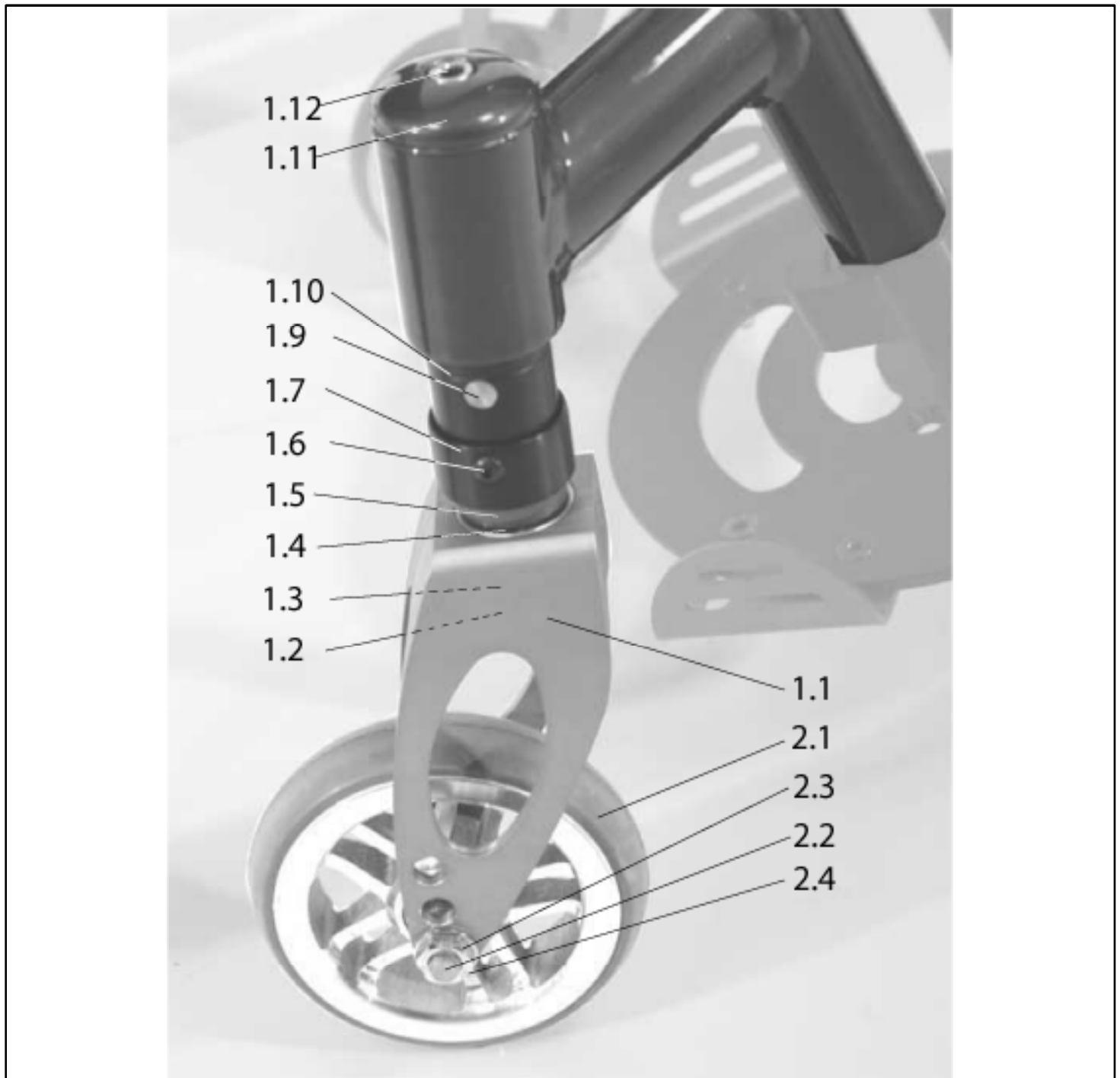
**Argon - Platform Footplates High-mount (2102)**



Pos.	Item number	Description	Remark/Qty	Options
1.1-3.3	SOP-051254	High-mount footrest with fitting accessories complete		SW:...? FRCR:...? SHANKL:...?
1.1-1.4	SOP-051201	Footboard with add-on parts		SW:...? FRCR:...?
1.2	SOP-000 104 069-ET	M 6 x 25 DIN 7991 countersunk screw	10 items/pack	
1.4	SOP-000 128 007-ET	M 6 DIN 985 hex nut	25 items/pack	
2.1	SOP-051215	Footboard bar for high-mount footrest	for one chair cpl.	SW:...? FRCR:...?
o.B.	SOP-765 821 004	Side stop for footboard	Pair	
3.1-3.3	SOP-622 861 005	Fitting accessories for high-mount footrest	one side	
3.3	SOP-000 102 006-ET	M 6 x 25 DIN 912 cheese head screw	25 items/pack	



## Argon - Castor, Height adjustable

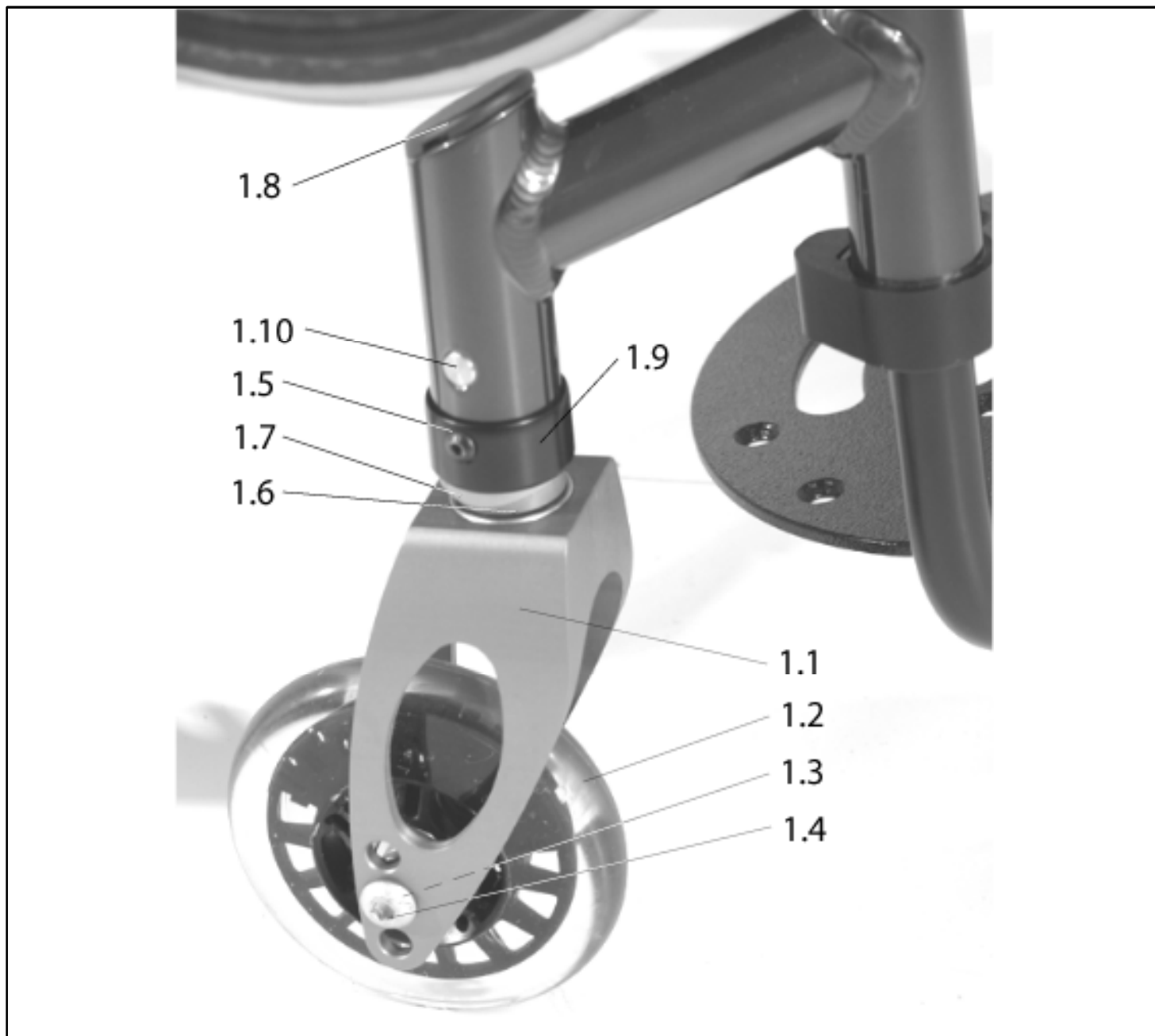


Pos.	Item number	Description	Remark/Qty	Options
1.1- 1.13	SOP-051536	Castor with fork and frame fixing - height-adjustable complete	RH & LH usable	CTY:...? CSZ:...? FKTY:...? COLMP:...?
1.2-1.4	SOP-051530	3" solid rubber Castor, with axle		
1.2-1.4	SOP-000 858 026	4" solid rubber Castor, with axle		
1.2-1.4	SOP-000 858 027	5" solid rubber Castor, with axle		

**Argon - Castor, Height adjustable [Stand: 02/2007]**

Pos.	Item number	Description	Remark/Qty	Options
1.2-1.4	SOP-000 858 043	6" solid rubber Castor, with axle		
1.2-1.4	SOP-000 858 043	6" soft rubber Castor, with axle		
1.5-1.13	SOP-051535	Fitting accessories for Castor hanger - height-adjustable	RH & LH usable	COLMP:..?
1.2-1.4	SOP-000 858 033	3" Light up Castor, with axle	RH & LH usable	
1.2-1.4	SOP-000 858 023	4" Light up Castor, with axle	RH & LH usable	
1.2-1.4	SOP-000 858 118	4" Castor with aluminium rim, with axle	RH & LH usable	
1.2-1.4	SOP-000 858 119	5" Castor with aluminium rim, with axle	RH & LH usable	
1.1	SOP-615 858 022	72 mm Castor fork, with bearing (only for 3" Castor)	RH & LH usable	
1.1	SOP-765 858 005	118 mm Castor fork, with bearing	RH & LH usable	
1.3	SOP-000 128 020-ET	M 8 hex nut, halfheight Treloc NO439	25 items/pack	
1.4	SOP-000 104 113-ET	M 8 x 60 ISO 7380 oval-head screw	10 items/pack	
1.9	SOP-000 102 018-ET	M 6 x 45 DIN 912 cheese head screw	10 items/pack	
1.11	SOP-051538	Cover for Castor with height-adjustment, coated		COLMP:..?
o.B.	SOP-000 138 004-ET	VS 12 safety washer	25 items/pack	
o.B.	SOP-000 130 108-ET	A 8,4 DIN 125 washer	25 items/pack	
o.B.	SOP-000 858 016-ET	13.5 x 8.3 x 3.5 washer	10 items/pack	
o.B.	SOP-000 104 076-ET	M 4 x 8 ISO 7380 oval-head screw	10 items/pack	

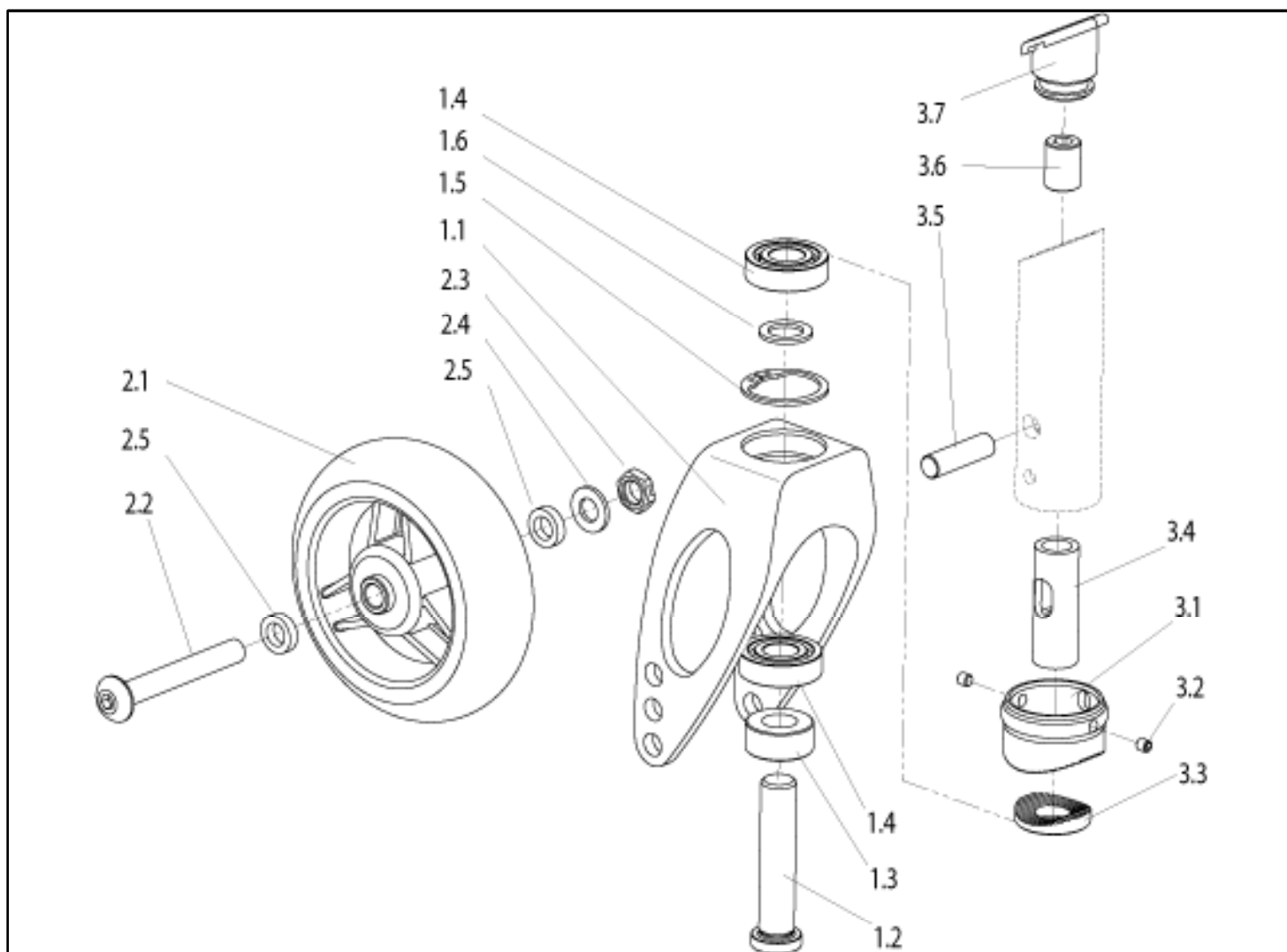
## Argon - Castor, fixed. Discontinued cw 22 /2006



Pos.	Item number	Description	Remark/Qty	Options
1.2-1.4	SOP-051530	3" solid rubber Castor, with axle		
1.2-1.4	SOP-000 858 026	4" solid rubber Castor, with axle		
1.2-1.4	SOP-000 858 027	5" solid rubber Castor, with axle		
1.2-1.4	SOP-000 858 043	6" solid rubber Castor, with axle		
1.2-1.4	SOP-000 858 064	6" soft rubber Castor, with axle		
1.2-1.4	SOP-000 858 033	3" Light up Castor, with axle		
1.2-1.4	SOP-000 858 023	4" Light up Castor, with axle		
1.6-1.10	SOP-051534	Fitting accessories for fixed Castor hanger. Discontinued cw 22 / 2006	RH & LH usable	

Pos.	Item number	Description	Remark/Qty	Options
1.2-1.4	SOP-000 858 118	4" Castor with aluminium rim, with axle		
1.2-1.4	SOP-000 858 119	5" Castor with aluminium rim, with axle		
1.1	SOP-615 858 022	72 mm Castor fork, with bearing (only for 3" Castor)	RH & LH usable	
1.1	SOP-765 858 005	118 mm Castor fork, with bearing	RH & LH usable	
1.1	SOP-054554	138 mm Castor fork, with bearing	RH & LH usable	
1.3	SOP-000 128 020-ET	6kt-Mutter M 8-halbhoch Treloc NO439	25 Pc./Pac.	
1.4	SOP-000 104 113-ET	M 8 hex nut, halfheight Treloc NO439	10 Pc./Pac.	
1.8	SOP-050087-ET	Cover with O-ring	4 Pc./Pac.	
noPic.	SOP-000 104 076-ET	M 4 x 8 ISO 7380 oval-head screw	10 Pc./Pac.	
noPic.	SOP-000 138 004-ET	VS 12 safety washer	10 Pc./Pac.	
noPic.	SOP-000 130 108-ET	A 8,4 DIN 125 washer	25 Pc./Pac.	
noPic.	SOP-000 858 016-ET	13.5 x 8.3 x 3.5 washer	10 Pc./Pac.	
noPic.	SOP-615 858 017.04	Castor shaft 60 mm		
noPic.	SOP-842 858 006.02-ET	Space sleeve 10 mm	4 Pc./Pac.	

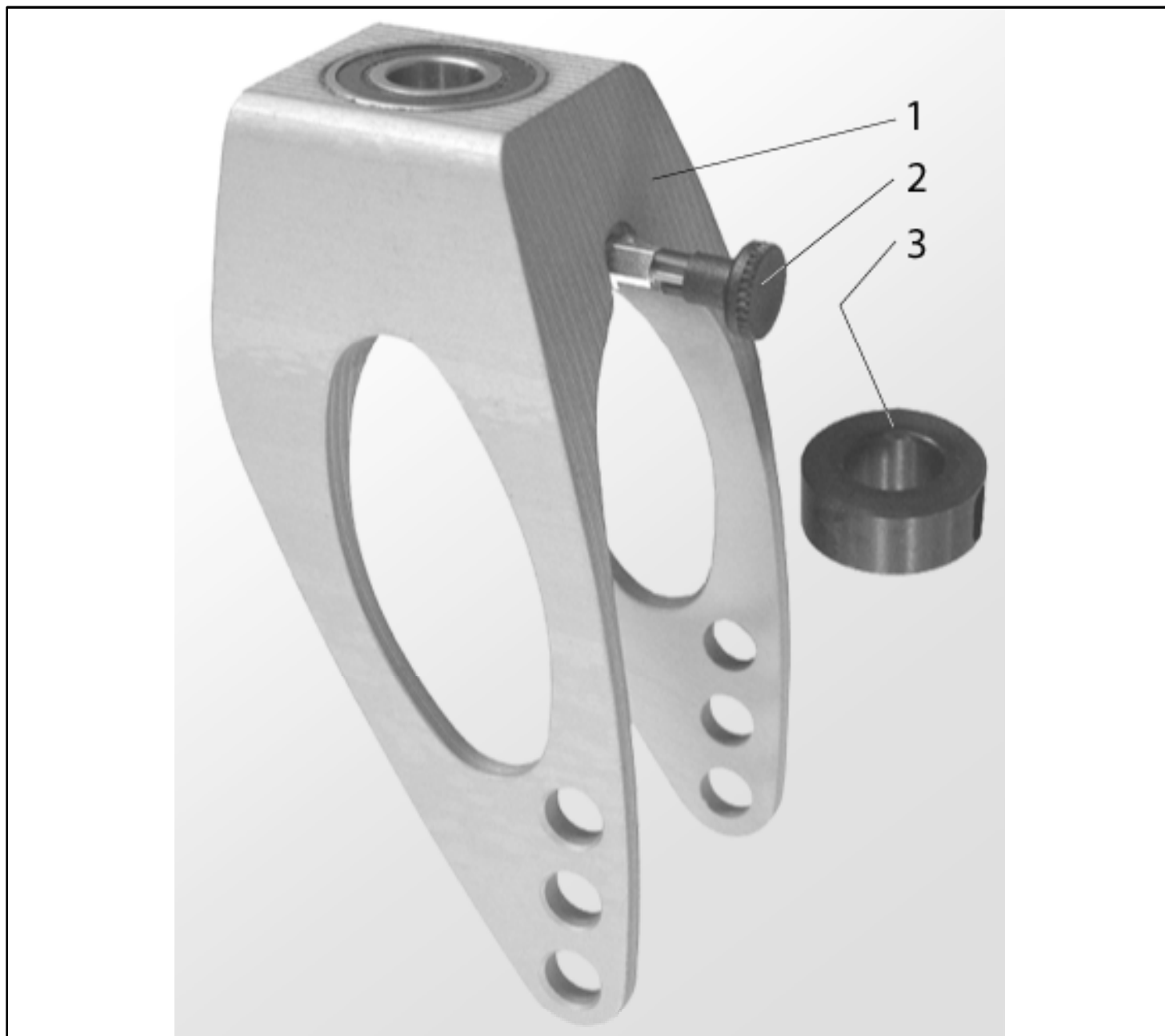
## Argon - Castor, fixed. Starting cw 23 /2006



Pos.	Item number	Description	Remarks	Options
3.1-3.7	SOP-051574	Fitting accessories for fixed Castor hanger (starting cw 23 /2006)	RH & LH usable	
1.1	SOP-615 858 022	72mm Castor fork, with bearing (only 3" Castor)	RH & LH usable	
1.1	SOP-765 858 005	118mm Castor fork, with bearing	RH & LH usable	
1.1	SOP-054554	138mm Castor fork, with bearing	RH & LH usable	
1.2	SOP-615 858 017.04	60mm castor shaft		
1.4	SOP-842 858 006.02-ET	10 mm spacer sleeve	4 Pc./Pac.	
2.1 - 2.5	SOP-051530	3" solid Castor, with axle		
2.1 - 2.5	SOP-765 858 011	4" solid Castor, with axle		

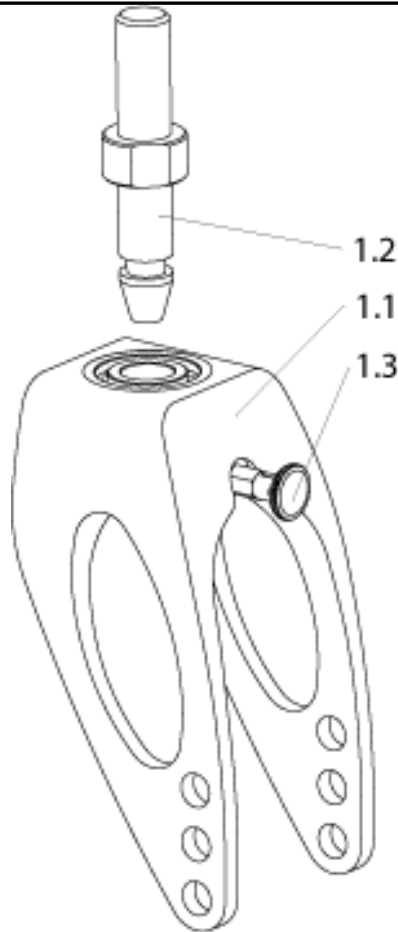
Pos.	Item number	Description	Remarks	Options
2.1 - 2.5	SOP-765 858 013	5" solid Castor, with axle		
2.1 - 2.5	SOP-000 858 043	6" solid Castor, with axle		
2.1 - 2.5	SOP-760 858 364	6" soft rubber castor, with axle		
2.1 - 2.5	SOP-000 858 033	3" light-up castor, with axle		
2.1 - 2.5	SOP-765 858 012	4" light-up castor, with axle		
2.1 - 2.5	SOP-000 858 118	4" aluminium castor rim, with axle		
2.1 - 2.5	SOP-000 858 119	5" aluminium castor rim, with axle		
2.2	SOP-000 104 113-ET	Socket cap screw M8 x 60 ISO 7380	10 Pc./Pac.	
2.3	SOP-000 128 020-ET	Hex nut M 8 half-height, Treloc NO439	25 Pc./Pac.	
2.4	SOP-000 130 108-ET	A 8,4 washer DIN125	25 Pc./Pac.	
2.5	SOP-000 858 016-ET	Spacer washer 13,5 x 8,3 x 3,5 (in position 2.2)	10 Pc./Pac.	
3.1-3.3	SOP-051583	Castor spline set	one side only	
3.2	SOP-000 105 004-ET	Set screw M 5 x 4 A2	10 Pc./Pac.	
3.7	SOP-050087-ET	Castor cap with O ring	4 Pc./Pac.	

## Argon - Castor fork pin lock (5854)



Pos.	Item number	Description	Remarks	Options
1-3	SOP-051562	Castor fork lockable 118 mm cpl.	RH & LH usable	
2	SOP-000 232 014-ET	Lock	Pair	
3	SOP-051558-ET	Bushing, Castor fork lockable	2 pc/pac	

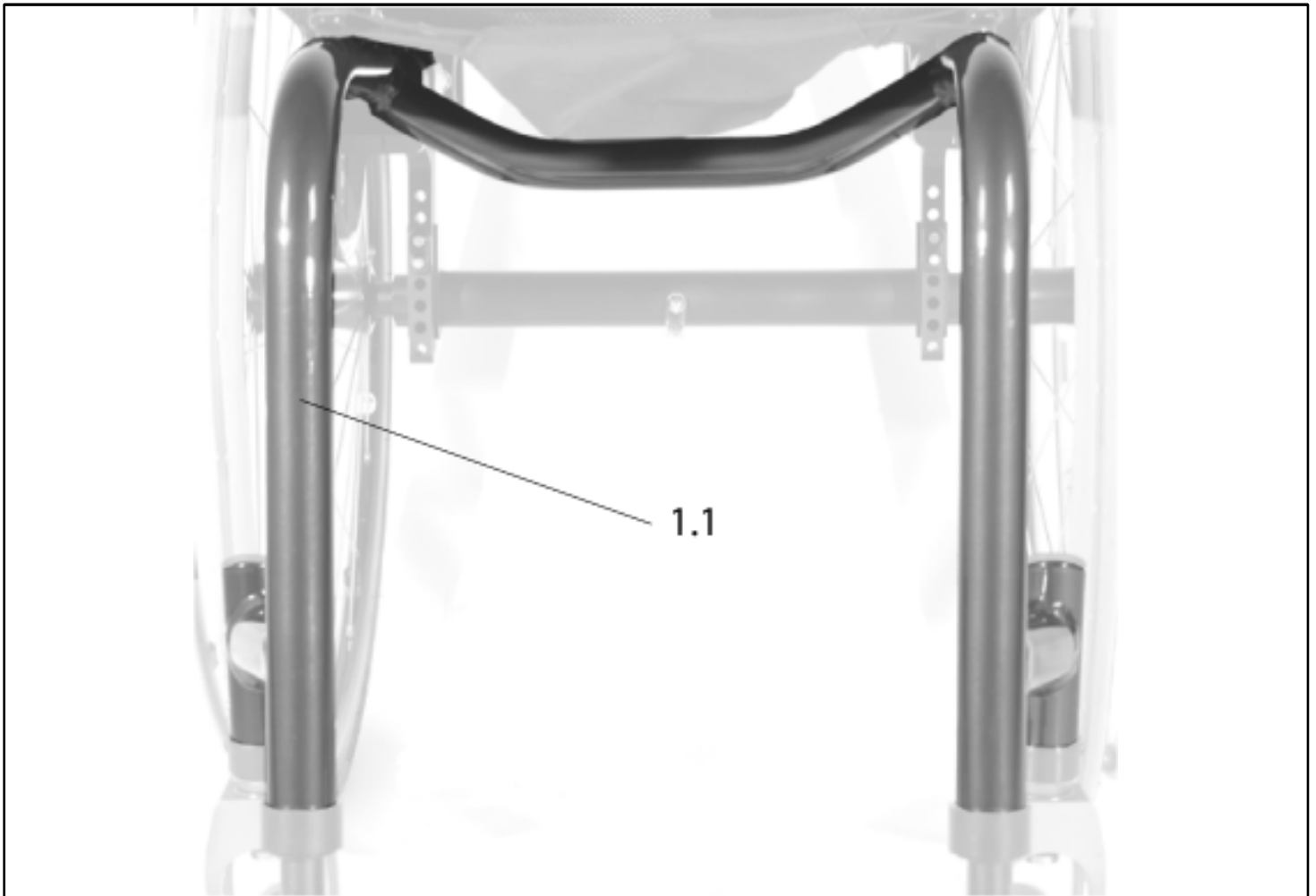
**Argon - Quick release axle for castor (5826)**



Pos.	Item number	Description	Remarks	Options
1.1-1.3	SOP-054525-001	118 mm Castor fork with release axle cpl.	pack of 2	
1.1-1.3	SOP-054558	138 mm Castor fork with release axle cpl.		
1.1-1.3	SOP-054525-003	147 mm Castor fork with release axle cpl.		
1.1-1.3	SOP-054526	118 mm Castor fork with bearing for release axle		
1.1-1.3	SOP-054556	138 mm Castor fork with bearing for release axle	pack of 2	
1.1-1.3	SOP-054530	147 mm Castor fork with bearing for release axle		
1.2	SOP-054532	Quick release axle		
1.3	SOP-000 232 014	Snap bolt		

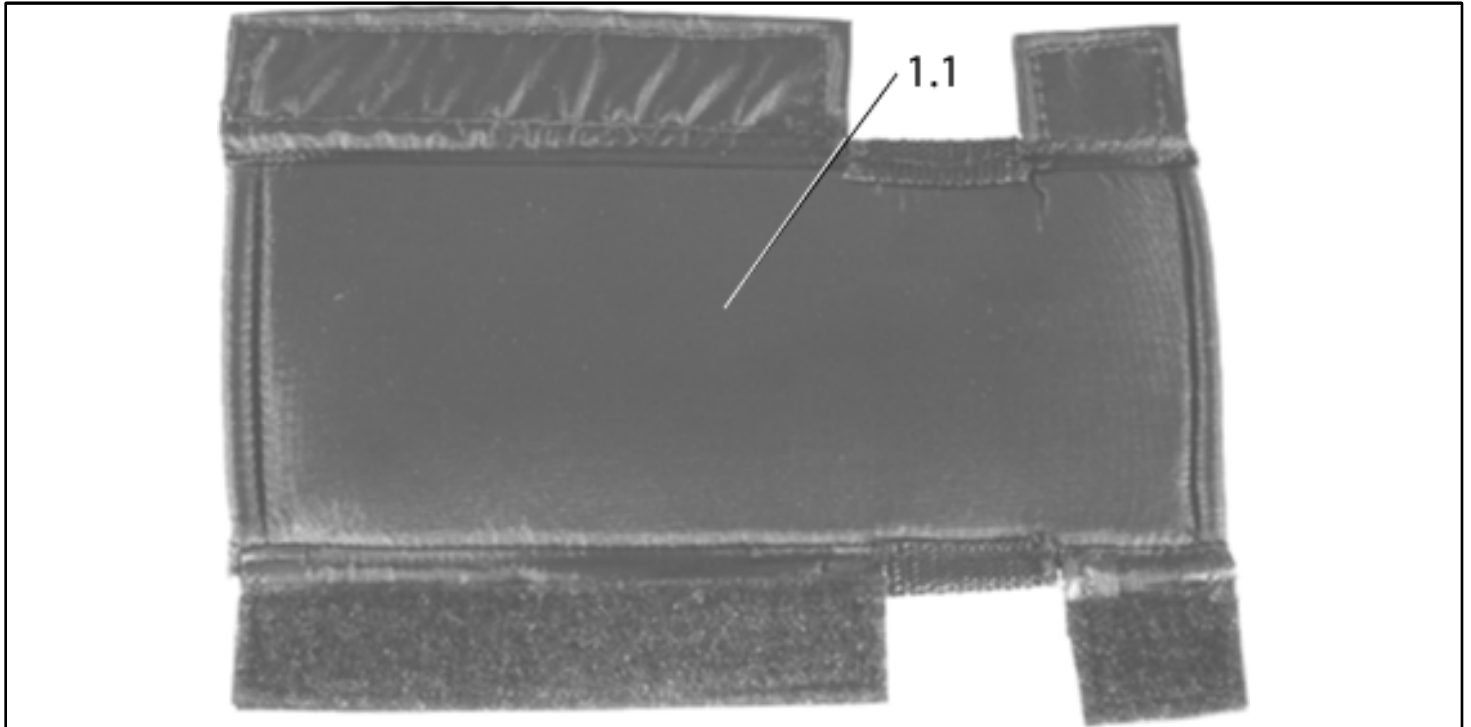


## Argon - Frame



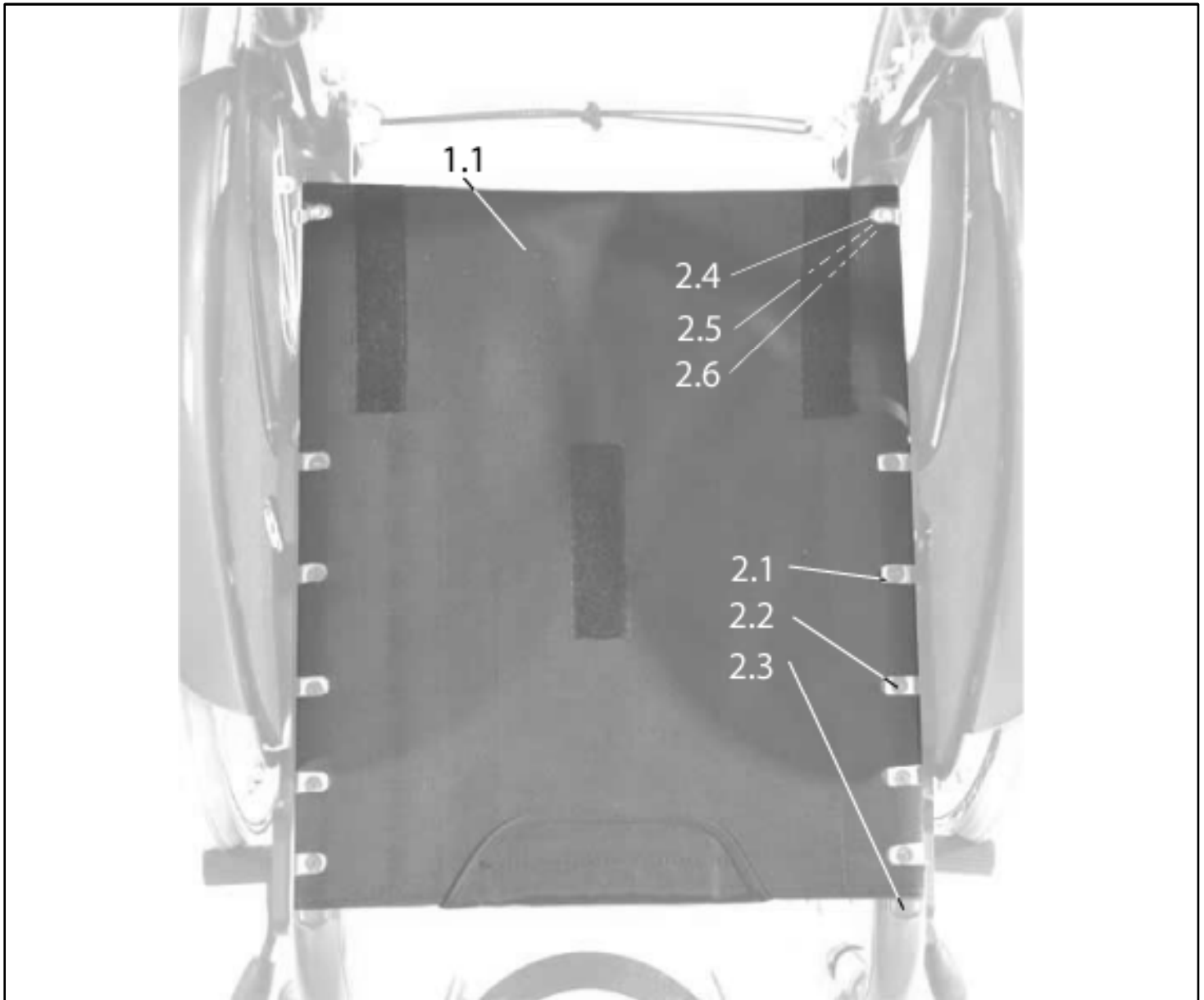
Pos.	Item number	Description	Remark/Qty	Options
1.1	SOP-051113	Frame, coated cpl.		SW:...? SD:...? COLOUR? FRAME ANGLE:...? FRAME INSET:...?
o.B.	SOP-614 813 001	Calf strap cpl.		SW:...?
o.B.	SOP-051121-ET	calf strap fastener	6 pcs./Pack.	

**Argon - Frame protection cover (1281)**



Pos.	Item number	Description	Remark/Qty	Options
1.1	SOP-051186	Frame protection cover		

## Argon - Seat Sling



Pos.	Item number	Description	Remark/Qty	Options
1.1	SOP-051316.001	Complete seat sling (with one bag 3002), UK SW 28 = EU SW 30, SD 30		
1.1	SOP-051316.002	Complete seat sling (with one bag 3002), UK SW 28 = EU SW 30, SD 32		
1.1	SOP-051316.003	Complete seat sling (with one bag 3002), UK SW 28 = EU SW 30, SD 34		
1.1	SOP-051316.004	Complete seat sling (with one bag 3002), UK SW 28 = EU SW 30, SD 36		
1.1	SOP-051316.005	Complete seat sling (with one bag 3002), UK SW 28 = EU SW 30, SD 38		
1.1	SOP-051316.006	Complete seat sling (with one bag 3002), UK SW 28 = EU SW 30, SD 40		

**Argon - Seat Sling [Stand: 01/2008]**

Pos.	Item number	Description	Remark/Qty	Options
1.1	SOP-051316.007	Complete seat sling (with one bag 3002), UK SW 28 = EU SW 30, SD 42		
1.1	SOP-051316.008	Complete seat sling (with one bag 3002), UK SW 28 = EU SW 30, SD 44		
1.1	SOP-051316.009	Complete seat sling (with one bag 3002), UK SW 28 = EU SW 30, SD 46		
1.1	SOP-051316.010	Complete seat sling (with one bag 3002), UK SW 28 = EU SW 30, SD 48		
1.1	SOP-051316.011	Complete seat sling (with one bag 3002), UK SW 28 = EU SW 30, SD 50		
1.1	SOP-051316.012	Complete seat sling (with one bag 3002), UK SW 30 = EU SW 32, SD 30		
1.1	SOP-051316.013	Complete seat sling (with one bag 3002), UK SW 30 = EU SW 32, SD 32		
1.1	SOP-051316.014	Complete seat sling (with one bag 3002), UK SW 30 = EU SW 32, SD 34		
1.1	SOP-051316.015	Complete seat sling (with one bag 3002), UK SW 30 = EU SW 32, SD 36		
1.1	SOP-051316.016	Complete seat sling (with one bag 3002), UK SW 30 = EU SW 32, SD 38		
1.1	SOP-051316.017	Complete seat sling (with one bag 3002), UK SW 30 = EU SW 32, SD 40		
1.1	SOP-051316.018	Complete seat sling (with one bag 3002), UK SW 30 = EU SW 32, SD 42		
1.1	SOP-051316.019	Complete seat sling (with one bag 3002), UK SW 30 = EU SW 32, SD 44		
1.1	SOP-051316.020	Complete seat sling (with one bag 3002), UK SW 30 = EU SW 32, SD 46		
1.1	SOP-051316.021	Complete seat sling (with one bag 3002), UK SW 30 = EU SW 32, SD 48		
1.1	SOP-051316.022	Complete seat sling (with one bag 3002), UK SW 30 = EU SW 32, SD 50		
1.1	SOP-051316.023	Complete seat sling (with one bag 3002), UK SW 32 = EU SW 34, SD 30		
1.1	SOP-051316.024	Complete seat sling (with one bag 3002), UK SW 32 = EU SW 34, SD 32		
1.1	SOP-051316.025	Complete seat sling (with one bag 3002), UK SW 32 = EU SW 34, SD 34		
1.1	SOP-051316.026	Complete seat sling (with one bag 3002), UK SW 32 = EU SW 34, SD 36		
1.1	SOP-051316.027	Complete seat sling (with one bag 3002), UK SW 32 = EU SW 34, SD 38		
1.1	SOP-051316.028	Complete seat sling (with one bag 3002), UK SW 32 = EU SW 34, SD 40		
1.1	SOP-051316.029	Complete seat sling (with one bag 3002), UK SW 32 = EU SW 34, SD 42		
1.1	SOP-051316.030	Complete seat sling (with one bag 3002), UK SW 32 = EU SW 34, SD 44		
1.1	SOP-051316.031	Complete seat sling (with one bag 3002), UK SW 32 = EU SW 34, SD 46		

Pos.	Item number	Description	Remark/Qty	Options
1.1	SOP-051316.032	Complete seat sling (with one bag 3002), UK SW 32 = EU SW 34, SD 48		
1.1	SOP-051316.033	Complete seat sling (with one bag 3002), UK SW 32 = EU SW 34, SD 50		
1.1	SOP-051316.034	Complete seat sling (with one bag 3002), UK SW 34 = EU SW 36, SD 30		
1.1	SOP-051316.035	Complete seat sling (with one bag 3002), UK SW 34 = EU SW 36, SD 32		
1.1	SOP-051316.036	Complete seat sling (with one bag 3002), UK SW 34 = EU SW 36, SD 34		
1.1	SOP-051316.037	Complete seat sling (with one bag 3002), UK SW 34 = EU SW 36, SD 36		
1.1	SOP-051316.038	Complete seat sling (with one bag 3002), UK SW 34 = EU SW 36, SD 38		
1.1	SOP-051316.039	Complete seat sling (with one bag 3002), UK SW 34 = EU SW 36, SD 40		
1.1	SOP-051316.040	Complete seat sling (with one bag 3002), UK SW 34 = EU SW 36, SD 42		
1.1	SOP-051316.041	Complete seat sling (with one bag 3002), UK SW 34 = EU SW 36, SD 44		
1.1	SOP-051316.042	Complete seat sling (with one bag 3002), UK SW 34 = EU SW 36, SD 46		
1.1	SOP-051316.043	Complete seat sling (with one bag 3002), UK SW 34 = EU SW 36, SD 48		
1.1	SOP-051316.044	Complete seat sling (with one bag 3002), UK SW 34 = EU SW 36, SD 50		
1.1	SOP-051316.045	Complete seat sling (with one bag 3002), UK SW 36 = EU SW 38, SD 30		
1.1	SOP-051316.046	Complete seat sling (with one bag 3002), UK SW 36 = EU SW 38, SD 32		
1.1	SOP-051316.047	Complete seat sling (with one bag 3002), UK SW 36 = EU SW 38, SD 34		
1.1	SOP-051316.048	Complete seat sling (with one bag 3002), UK SW 36 = EU SW 38, SD 36		
1.1	SOP-051316.049	Complete seat sling (with one bag 3002), UK SW 36 = EU SW 38, SD 38		
1.1	SOP-051316.050	Complete seat sling (with one bag 3002), UK SW 36 = EU SW 38, SD 40		
1.1	SOP-051316.051	Complete seat sling (with one bag 3002), UK SW 36 = EU SW 38, SD 42		
1.1	SOP-051316.052	Complete seat sling (with one bag 3002), UK SW 36 = EU SW 38, SD 44		
1.1	SOP-051316.053	Complete seat sling (with one bag 3002), UK SW 36 = EU SW 38, SD 46		
1.1	SOP-051316.054	Complete seat sling (with one bag 3002), UK SW 36 = EU SW 38, SD 48		
1.1	SOP-051316.055	Complete seat sling (with one bag 3002), UK SW 36 = EU SW 38, SD 50		
1.1	SOP-051316.056	Complete seat sling (with one bag 3002), UK SW 38 = EU SW 40, SD 30		

**Argon - Seat Sling [Stand: 01/2008]**

Pos.	Item number	Description	Remark/Qty	Options
1.1	SOP-051316.057	Complete seat sling (with one bag 3002), UK SW 38 = EU SW 40, SD 32		
1.1	SOP-051316.058	Complete seat sling (with one bag 3002), UK SW 38 = EU SW 40, SD 34		
1.1	SOP-051316.059	Complete seat sling (with one bag 3002), UK SW 38 = EU SW 40, SD 36		
1.1	SOP-051316.060	Complete seat sling (with one bag 3002), UK SW 38 = EU SW 40, SD 38		
1.1	SOP-051316.061	Complete seat sling (with one bag 3002), UK SW 38 = EU SW 40, SD 40		
1.1	SOP-051316.062	Complete seat sling (with one bag 3002), UK SW 38 = EU SW 40, SD 42		
1.1	SOP-051316.063	Complete seat sling (with one bag 3002), UK SW 38 = EU SW 40, SD 44		
1.1	SOP-051316.064	Complete seat sling (with one bag 3002), UK SW 38 = EU SW 40, SD 46		
1.1	SOP-051316.065	Complete seat sling (with one bag 3002), UK SW 38 = EU SW 40, SD 48		
1.1	SOP-051316.066	Complete seat sling (with one bag 3002), UK SW 38 = EU SW 40, SD 50		
1.1	SOP-051316.067	Complete seat sling (with one bag 3002), UK SW 40 = EU SW 42, SD 30		
1.1	SOP-051316.068	Complete seat sling (with one bag 3002), UK SW 40 = EU SW 42, SD 32		
1.1	SOP-051316.069	Complete seat sling (with one bag 3002), UK SW 40 = EU SW 42, SD 34		
1.1	SOP-051316.070	Complete seat sling (with one bag 3002), UK SW 40 = EU SW 42, SD 36		
1.1	SOP-051316.071	Complete seat sling (with one bag 3002), UK SW 40 = EU SW 42, SD 38		
1.1	SOP-051316.072	Complete seat sling (with one bag 3002), UK SW 40 = EU SW 42, SD 40		
1.1	SOP-051316.073	Complete seat sling (with one bag 3002), UK SW 40 = EU SW 42, SD 42		
1.1	SOP-051316.074	Complete seat sling (with one bag 3002), UK SW 40 = EU SW 42, SD 44		
1.1	SOP-051316.075	Complete seat sling (with one bag 3002), UK SW 40 = EU SW 42, SD 46		
1.1	SOP-051316.076	Complete seat sling (with one bag 3002), UK SW 40 = EU SW 42, SD 48		
1.1	SOP-051316.077	Complete seat sling (with one bag 3002), UK SW 40 = EU SW 42, SD 50		
1.1	SOP-051316.078	Complete seat sling (with one bag 3002), UK SW 42 = EU SW 44, SD 30		
1.1	SOP-051316.079	Complete seat sling (with one bag 3002), UK SW 42 = EU SW 44, SD 32		
1.1	SOP-051316.080	Complete seat sling (with one bag 3002), UK SW 42 = EU SW 44, SD 34		
1.1	SOP-051316.081	Complete seat sling (with one bag 3002), UK SW 42 = EU SW 44, SD 36		

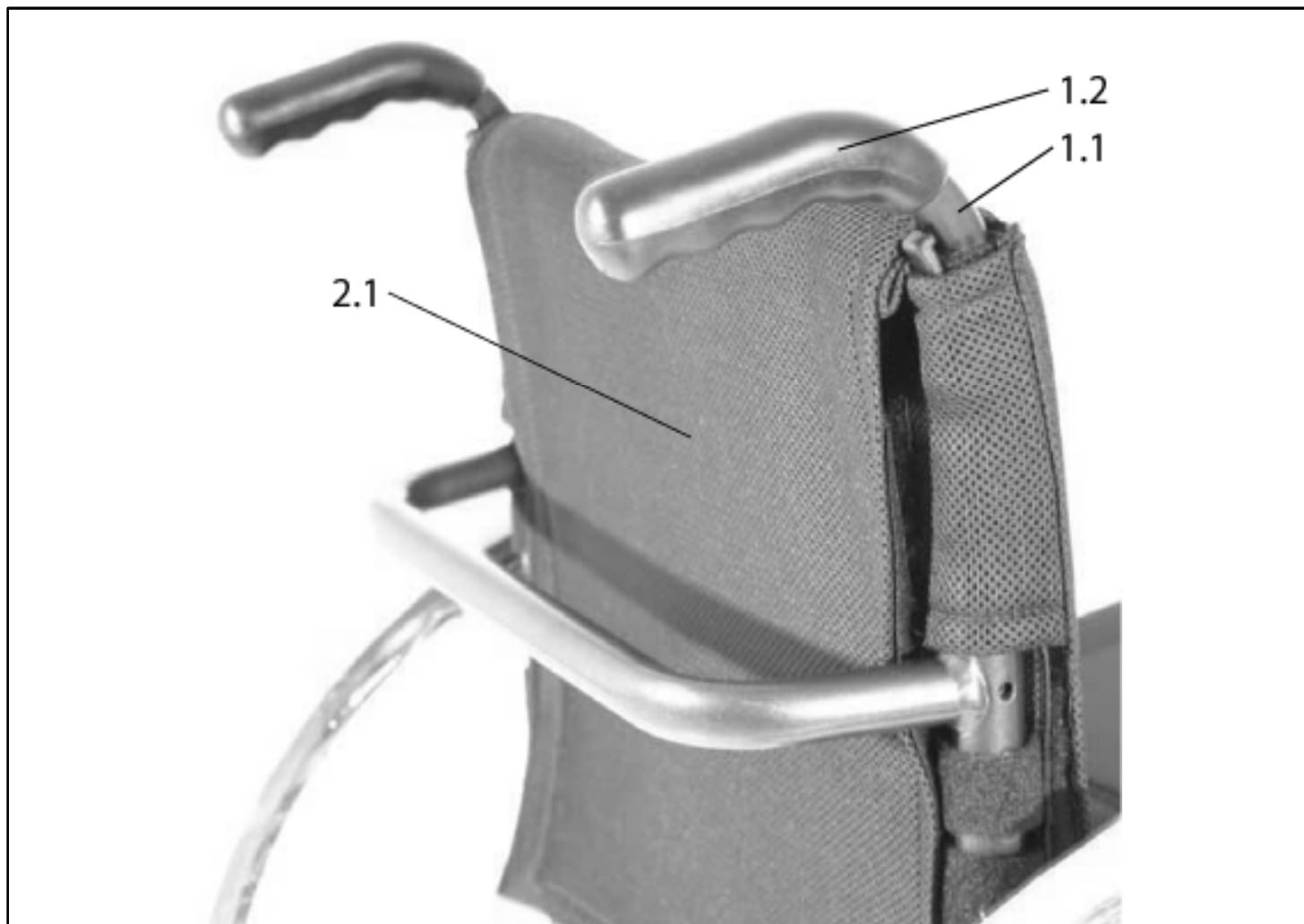
Pos.	Item number	Description	Remark/Qty	Options
1.1	SOP-051316.082	Complete seat sling (with one bag 3002), UK SW 42 = EU SW 44, SD 38		
1.1	SOP-051316.083	Complete seat sling (with one bag 3002), UK SW 42 = EU SW 44, SD 40		
1.1	SOP-051316.084	Complete seat sling (with one bag 3002), UK SW 42 = EU SW 44, SD 42		
1.1	SOP-051316.085	Complete seat sling (with one bag 3002), UK SW 42 = EU SW 44, SD 44		
1.1	SOP-051316.086	Complete seat sling (with one bag 3002), UK SW 42 = EU SW 44, SD 46		
1.1	SOP-051316.087	Complete seat sling (with one bag 3002), UK SW 42 = EU SW 44, SD 48		
1.1	SOP-051316.088	Complete seat sling (with one bag 3002), UK SW 42 = EU SW 44, SD 50		
1.1	SOP-051316.089	Complete seat sling (with one bag 3002), UK SW 44 = EU SW 46, SD 30		
1.1	SOP-051316.090	Complete seat sling (with one bag 3002), UK SW 44 = EU SW 46, SD 32		
1.1	SOP-051316.091	Complete seat sling (with one bag 3002), UK SW 44 = EU SW 46, SD 34		
1.1	SOP-051316.092	Complete seat sling (with one bag 3002), UK SW 44 = EU SW 46, SD 36		
1.1	SOP-051316.093	Complete seat sling (with one bag 3002), UK SW 44 = EU SW 46, SD 38		
1.1	SOP-051316.094	Complete seat sling (with one bag 3002), UK SW 44 = EU SW 46, SD 40		
1.1	SOP-051316.095	Complete seat sling (with one bag 3002), UK SW 44 = EU SW 46, SD 42		
1.1	SOP-051316.096	Complete seat sling (with one bag 3002), UK SW 44 = EU SW 46, SD 44		
1.1	SOP-051316.097	Complete seat sling (with one bag 3002), UK SW 44 = EU SW 46, SD 46		
1.1	SOP-051316.098	Complete seat sling (with one bag 3002), UK SW 44 = EU SW 46, SD 48		
1.1	SOP-051316.099	Complete seat sling (with one bag 3002), UK SW 44 = EU SW 46, SD 50		
1.1	SOP-051316.100	Complete seat sling (with one bag 3002), UK SW 46 = EU SW 48, SD 30		
1.1	SOP-051316.101	Complete seat sling (with one bag 3002), UK SW 46 = EU SW 48, SD 32		
1.1	SOP-051316.102	Complete seat sling (with one bag 3002), UK SW 46 = EU SW 48, SD 34		
1.1	SOP-051316.103	Complete seat sling (with one bag 3002), UK SW 46 = EU SW 48, SD 36		
1.1	SOP-051316.104	Complete seat sling (with one bag 3002), UK SW 46 = EU SW 48, SD 38		
1.1	SOP-051316.105	Complete seat sling (with one bag 3002), UK SW 46 = EU SW 48, SD 40		
1.1	SOP-051316.106	Complete seat sling (with one bag 3002), UK SW 46 = EU SW 48, SD 42		

**Argon - Seat Sling [Stand: 01/2008]**

Pos.	Item number	Description	Remark/Qty	Options
1.1	SOP-051316.107	Complete seat sling (with one bag 3002), UK SW 46 = EU SW 48, SD 44		
1.1	SOP-051316.108	Complete seat sling (with one bag 3002), UK SW 46 = EU SW 48, SD 46		
1.1	SOP-051316.109	Complete seat sling (with one bag 3002), UK SW 46 = EU SW 48, SD 48		
1.1	SOP-051316.110	Complete seat sling (with one bag 3002), UK SW 46 = EU SW 48, SD 50		
1.1	SOP-051316.111	Complete seat sling (with one bag 3002), UK SW 48 = EU SW 50, SD 30		
1.1	SOP-051316.112	Complete seat sling (with one bag 3002), UK SW 48 = EU SW 50, SD 32		
1.1	SOP-051316.113	Complete seat sling (with one bag 3002), UK SW 48 = EU SW 50, SD 34		
1.1	SOP-051316.114	Complete seat sling (with one bag 3002), UK SW 48 = EU SW 50, SD 36		
1.1	SOP-051316.115	Complete seat sling (with one bag 3002), UK SW 48 = EU SW 50, SD 38		
1.1	SOP-051316.116	Complete seat sling (with one bag 3002), UK SW 48 = EU SW 50, SD 40		
1.1	SOP-051316.117	Complete seat sling (with one bag 3002), UK SW 48 = EU SW 50, SD 42		
1.1	SOP-051316.118	Complete seat sling (with one bag 3002), UK SW 48 = EU SW 50, SD 44		
1.1	SOP-051316.119	Complete seat sling (with one bag 3002), UK SW 48 = EU SW 50, SD 46		
1.1	SOP-051316.120	Complete seat sling (with one bag 3002), UK SW 48 = EU SW 50, SD 48		
1.1	SOP-051316.121	Complete seat sling (with one bag 3002), UK SW 48 = EU SW 50, SD 50		
1.1	SOP-051317	Complete seat sling (with two bags) (3006)		SW:...? SD:...? COLUP:...?
n/s	SOP-058306	Seat sling with bag and katheter bag		SW:...? SD:...?
2.1	SOP-051319	Seat rails for seat sling	2 items/pack	SD:...?
2.2	SOP-000 104 055-ET	M 5 x 20 DIN 7991 countersunk screw	25 items/pack	
2.3	SOP-000 282 040-ET	Caps for seat rails (Sunken caps)	4 items/pack	
2.4	SOP-000 102 056.01ET	M 6 x 45 oval-head screw with Torx drive	25 items/pack	
2.5	SOP-000 128 007-ET	M 6 DIN 985 hex nut	25 items/pack	
2.6	SOP-000 130 107-ET	A 6,4 DIN 125 washer	25 items/pack	



## Argon - Back Upholstery (4032 &amp; 4038) &amp; Back tube Standard (long) (4022)



Pos.	Item number	Description	Remark/Qty	Options
1.1-1.2	SOP-051454	Fixed back tube	RH & LH	BACKH:...?
1.2	SOP-760 841 090-ET	Handle, black, for back tube	6 items/pack	
no pic.	SOP-760 949 901	Fitting accessories for back sling	Pair	
no pic.	SOP-051451.001	Complete adjustable back sling, Nylon, UK SW 28 = EU SW 30, BH 25-30		
no pic.	SOP-051451.002	Complete adjustable back sling, Nylon, UK SW 30 = EU SW 32, BH 25-30		
no pic.	SOP-051451.003	Complete adjustable back sling, Nylon, UK SW 32 = EU SW 34, BH 25-30		
no pic.	SOP-051451.004	Complete adjustable back sling, Nylon, UK SW 34 = EU SW 36, BH 25-30		
no pic.	SOP-051451.005	Complete adjustable back sling, Nylon, UK SW 36 = EU SW 38, BH 25-30		
no pic.	SOP-051451.006	Complete adjustable back sling, Nylon, UK SW 38 = EU SW 40, BH 25-30		

**Argon - Back Upholstery (4032 & 4038) & Back tube Standard (long) (4022) [Stand: 02/2008]**

Pos.	Item number	Description	Remark/Qty	Options
no pic.	SOP-051451.007	Complete adjustable back sling, Nylon, UK SW 40 = EU SW 42, BH 25-30		
no pic.	SOP-051451.008	Complete adjustable back sling, Nylon, UK SW 42 = EU SW 44, BH 25-30		
no pic.	SOP-051451.009	Complete adjustable back sling, Nylon, UK SW 44 = EU SW 46, BH 25-30		
no pic.	SOP-051451.010	Complete adjustable back sling, Nylon, UK SW 46 = EU SW 48, BH 25-30		
no pic.	SOP-051451.011	Complete adjustable back sling, Nylon, UK SW 48 = EU SW 50, BH 25-30		
no pic.	SOP-051451.012	Complete adjustable back sling, Nylon, UK SW 28 = EU SW 30, BH 30-40		
no pic.	SOP-051451.013	Complete adjustable back sling, Nylon, UK SW 30 = EU SW 32, BH 30-40		
no pic.	SOP-051451.014	Complete adjustable back sling, Nylon, UK SW 32 = EU SW 34, BH 30-40		
no pic.	SOP-051451.015	Complete adjustable back sling, Nylon, UK SW 34 = EU SW 36, BH 30-40		
no pic.	SOP-051451.016	Complete adjustable back sling, Nylon, UK SW 36 = EU SW 38, BH 30-40		
no pic.	SOP-051451.017	Complete adjustable back sling, Nylon, UK SW 38 = EU SW 40, BH 30-40		
no pic.	SOP-051451.018	Complete adjustable back sling, Nylon, UK SW 40 = EU SW 42, BH 30-40		
no pic.	SOP-051451.019	Complete adjustable back sling, Nylon, UK SW 42 = EU SW 44, BH 30-40		
no pic.	SOP-051451.020	Complete adjustable back sling, Nylon, UK SW 44 = EU SW 46, BH 30-40		
no pic.	SOP-051451.021	Complete adjustable back sling, Nylon, UK SW 46 = EU SW 48, BH 30-40		
no pic.	SOP-051451.022	Complete adjustable back sling, Nylon, UK SW 48 = EU SW 50, BH 30-40		
no pic.	SOP-051451.023	Complete adjustable back sling, Nylon, UK SW 28 = EU SW 30, BH 40-45		
no pic.	SOP-051451.024	Complete adjustable back sling, Nylon, UK SW 30 = EU SW 32, BH 40-45		
no pic.	SOP-051451.025	Complete adjustable back sling, Nylon, UK SW 32 = EU SW 34, BH 40-45		
no pic.	SOP-051451.026	Complete adjustable back sling, Nylon, UK SW 34 = EU SW 36, BH 40-45		
no pic.	SOP-051451.027	Complete adjustable back sling, Nylon, UK SW 36 = EU SW 38, BH 40-45		
no pic.	SOP-051451.028	Complete adjustable back sling, Nylon, UK SW 38 = EU SW 40, BH 40-45		
no pic.	SOP-051451.029	Complete adjustable back sling, Nylon, UK SW 40 = EU SW 42, BH 40-45		
no pic.	SOP-051451.030	Complete adjustable back sling, Nylon, UK SW 42 = EU SW 44, BH 40-45		
no pic.	SOP-051451.031	Complete adjustable back sling, Nylon, UK SW 44 = EU SW 46, BH 40-45		

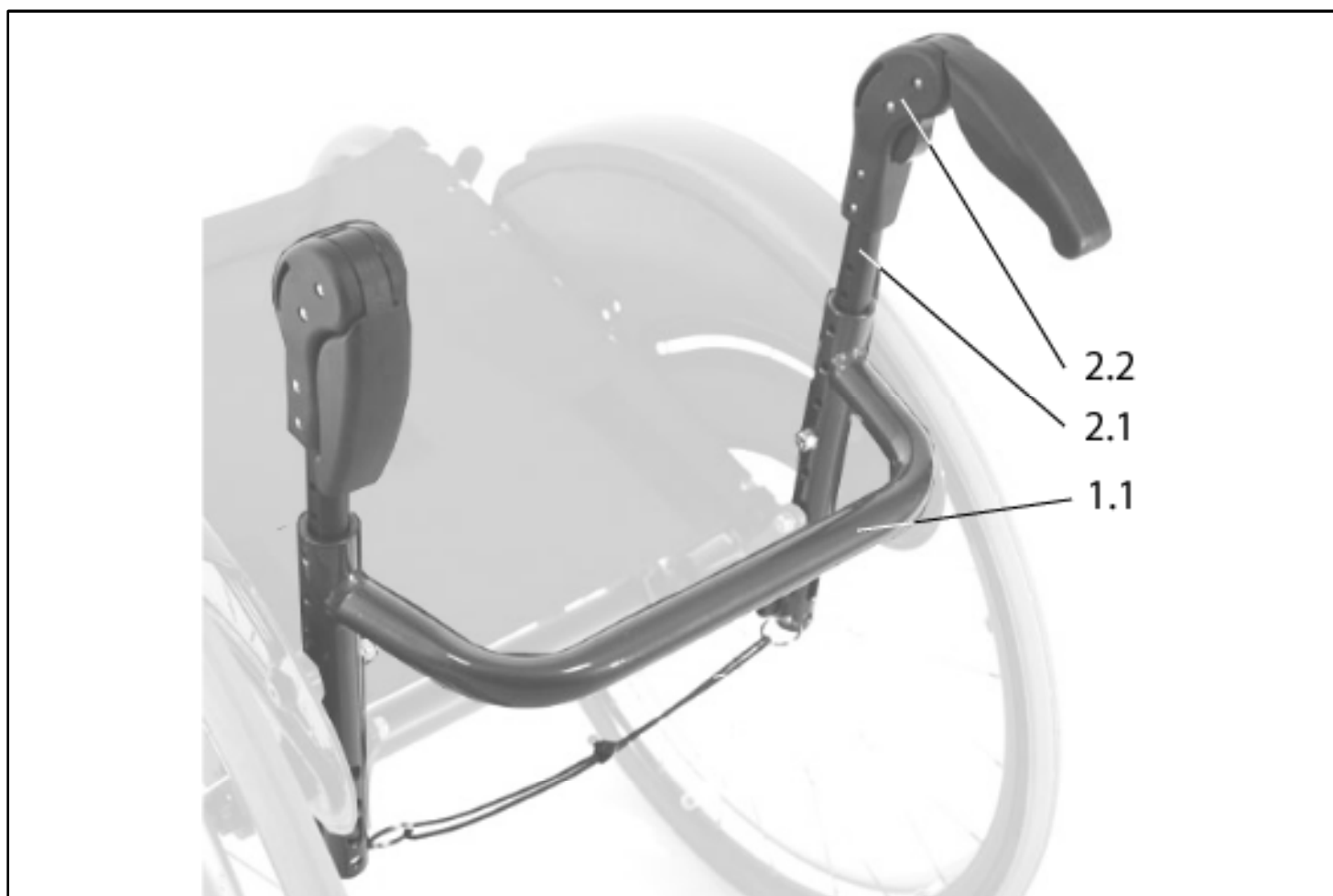
**Argon - Back Upholstery (4032 & 4038) & Back tube Standard (long) (4022) [Stand: 02/2008]**

<b>Pos.</b>	<b>Item number</b>	<b>Description</b>	<b>Remark/Qty</b>	<b>Options</b>
no pic.	SOP-051451.032	Complete adjustable back sling, Nylon, UK SW 46 = EU SW 48, BH 40-45		
no pic.	SOP-051451.033	Complete adjustable back sling, Nylon, UK SW 48 = EU SW 50, BH 40-45		
2.1	SOP-051450.001	Complete back sling - adjustable and ventilated, UK SW 28 = EU SW 30, BH 25-30		
2.1	SOP-051450.002	Complete back sling - adjustable and ventilated, UK SW 30 = EU SW 32, BH 25-30		
2.1	SOP-051450.003	Complete back sling - adjustable and ventilated, UK SW 32 = EU SW 34, BH 25-30		
2.1	SOP-051450.004	Complete back sling - adjustable and ventilated, UK SW 34 = EU SW 36, BH 25-30		
2.1	SOP-051450.005	Complete back sling - adjustable and ventilated, UK SW 36 = EU SW 38, BH 25-30		
2.1	SOP-051450.006	Complete back sling - adjustable and ventilated, UK SW 38 = EU SW 40, BH 25-30		
2.1	SOP-051450.007	Complete back sling - adjustable and ventilated, UK SW 40 = EU SW 42, BH 25-30		
2.1	SOP-051450.008	Complete back sling - adjustable and ventilated, UK SW 42 = EU SW 44, BH 25-30		
2.1	SOP-051450.009	Complete back sling - adjustable and ventilated, UK SW 44 = EU SW 46, BH 25-30		
2.1	SOP-051450.010	Complete back sling - adjustable and ventilated, UK SW 46 = EU SW 48, BH 25-30		
2.1	SOP-051450.011	Complete back sling - adjustable and ventilated, UK SW 48 = EU SW 50, BH 25-30		
2.1	SOP-051450.012	Complete back sling - adjustable and ventilated, UK SW 28 = EU SW 30, BH 30-40		
2.1	SOP-051450.013	Complete back sling - adjustable and ventilated, UK SW 30 = EU SW 32, BH 30-40		
2.1	SOP-051450.014	Complete back sling - adjustable and ventilated, UK SW 32 = EU SW 34, BH 30-40		
2.1	SOP-051450.015	Complete back sling - adjustable and ventilated, UK SW 34 = EU SW 36, BH 30-40		
2.1	SOP-051450.016	Complete back sling - adjustable and ventilated, UK SW 36 = EU SW 38, BH 30-40		
2.1	SOP-051450.017	Complete back sling - adjustable and ventilated, UK SW 38 = EU SW 40, BH 30-40		
2.1	SOP-051450.018	Complete back sling - adjustable and ventilated, UK SW 40 = EU SW 42, BH 30-40		
2.1	SOP-051450.019	Complete back sling - adjustable and ventilated, UK SW 42 = EU SW 44, BH 30-40		
2.1	SOP-051450.020	Complete back sling - adjustable and ventilated, UK SW 44 = EU SW 46, BH 30-40		
2.1	SOP-051450.021	Complete back sling - adjustable and ventilated, UK SW 46 = EU SW 48, BH 30-40		
2.1	SOP-051450.022	Complete back sling - adjustable and ventilated, UK SW 48 = EU SW 50, BH 30-40		
2.1	SOP-051450.023	Complete back sling - adjustable and ventilated, UK SW 28 = EU SW 30, BH 40-45		

**Argon - Back Upholstery (4032 & 4038) & Back tube Standard (long) (4022) [Stand: 02/2008]**

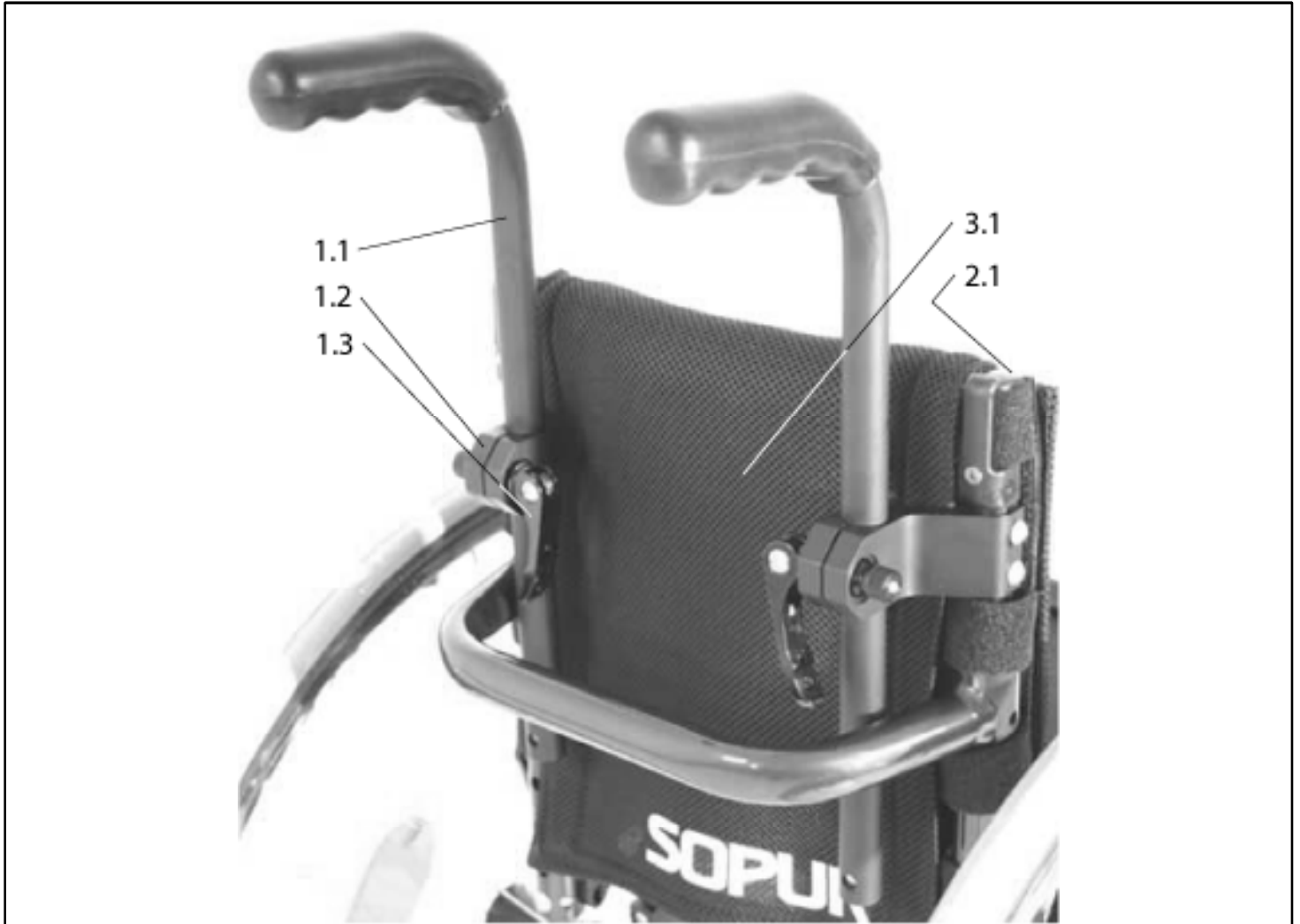
Pos.	Item number	Description	Remark/Qty	Options
2.1	SOP-051450.024	Complete back sling - adjustable and ventilated, UK SW 30 = EU SW 32, BH 40-45		
2.1	SOP-051450.025	Complete back sling - adjustable and ventilated, UK SW 32 = EU SW 34, BH 40-45		
2.1	SOP-051450.026	Complete back sling - adjustable and ventilated, UK SW 34 = EU SW 36, BH 40-45		
2.1	SOP-051450.027	Complete back sling - adjustable and ventilated, UK SW 36 = EU SW 38, BH 40-45		
2.1	SOP-051450.028	Complete back sling - adjustable and ventilated, UK SW 38 = EU SW 40, BH 40-45		
2.1	SOP-051450.029	Complete back sling - adjustable and ventilated, UK SW 40 = EU SW 42, BH 40-45		
2.1	SOP-051450.030	Complete back sling - adjustable and ventilated, UK SW 42 = EU SW 44, BH 40-45		
2.1	SOP-051450.031	Complete back sling - adjustable and ventilated, UK SW 44 = EU SW 46, BH 40-45		
2.1	SOP-051450.032	Complete back sling - adjustable and ventilated, UK SW 46 = EU SW 48, BH 40-45		
2.1	SOP-051450.033	Complete back sling - adjustable and ventilated, UK SW 48 = EU SW 50, BH 40-45		

## Argon - Back tube with push handle, folding (4024)



Pos.	Item number	Description	Remark/Qty	Options
1.1	SOP-051458	Back part, coated		SW:...? COLMP:...? BACKH:...?
2.1-2.2	SOP-051457	Back tube with push handle - folding complete	RH & LH	BACKH:...?

**Argon - Height-adjustable push handle (4034)**



Pos.	Item number	Description	Remark/Qty	Options
1.1-2.1	SOP-051455	Height-adjustable push handle with back tube and fitting accessories for back sling complete	RH & LH	BACKH:...?
1.2-1.3	SOP-051456	Push handle holder with quick tensioner complete	RH & LH	
2.1	SOP-051453	Back tubes without push handles and holders	RH & LH	BACKH:...?
o.B.	SOP-051448-000	Complete adjustable back sling, Nylon, for height-adjustable push handles		BACKH:...?
3.1	SOP-051449-000	Complete back sling - adjustable and ventilated		SW:...? BACKH:...?
o.B.	SOP-760 949 902	Fitting accessories for back sling	Pair	
no Pic.	SOP-000 844 100	Push handle holder with quick tensioner for Jay-Back complete	RH & LH	

## Argon - Back tubes without push handles (4054)



Pos.	Item number	Description	Remark/Qty	Options
1.1	SOP-051453	Back tubes without push handles and holders	RH & LH	BACKH:...?
2.1	SOP-051451-000	Complete adjustable back sling, Nylon		SW:...? BACKH:...? COLUP:...?
2.1	SOP-051450-000	Complete back sling - adjustable and ventilated		SW:...? BACKH:...?
o.B.	SOP-760 949 902	Fitting accessories for back sling	Pair	

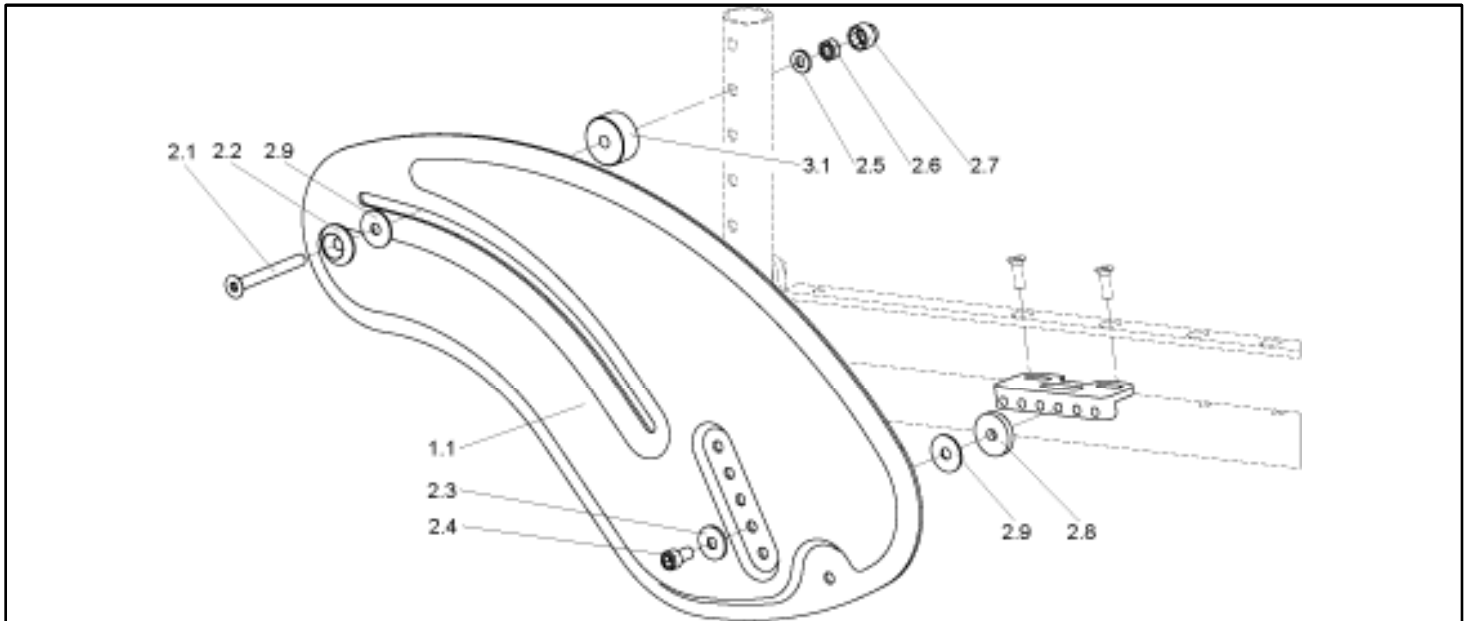




**Argon - Seat depth Growth (4020) Back foldable (4029) & non folding (4018) & double locking back (4016) [Stand: 09/2007]**

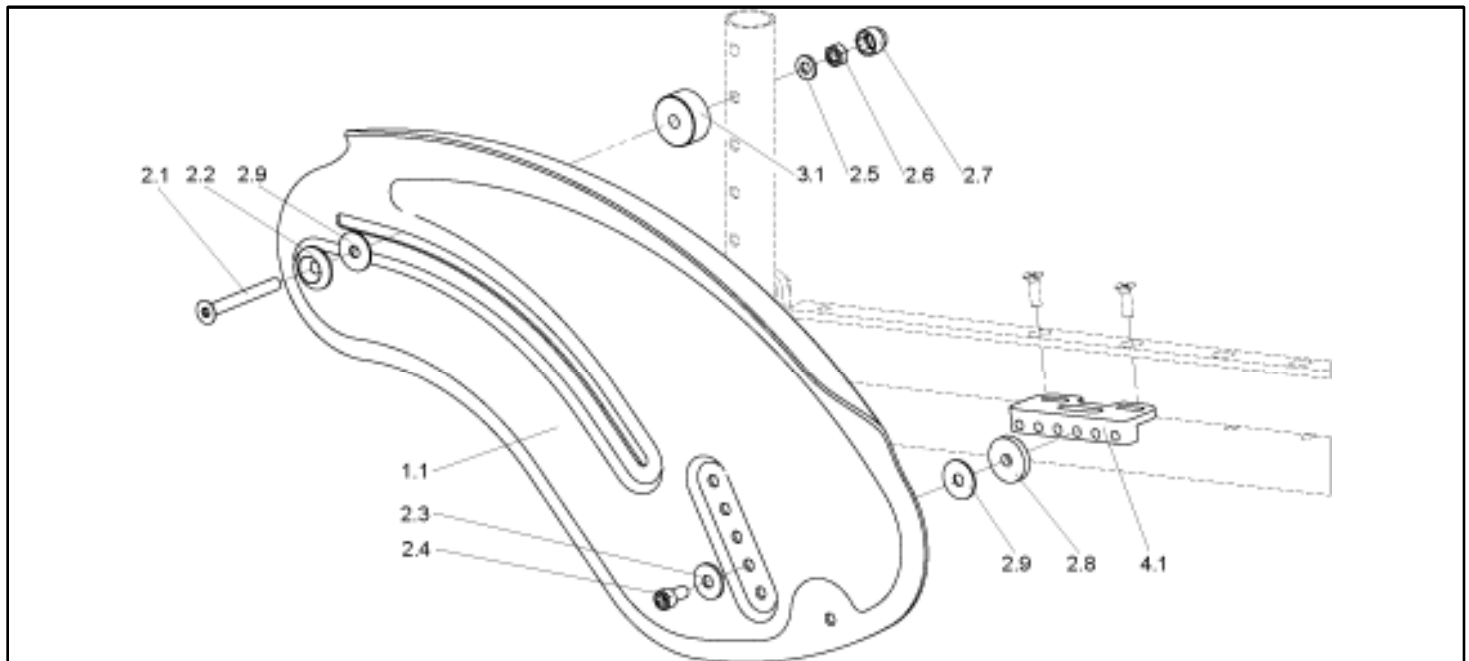
Pos.	Item number	Description	Remark/Qty	Options
1.6, 1.8, 1.12, 3.5, 4.2	000 130 007-ET	Washer A 6,4 DIN 125	25 pc/pac.	
3.2	000 067 020	Cord, 3 mm, braided		
4.1-4.5	058445	Fittings for backrest angle adjustable (non folding)	RH & LH	
4.1	058900-004-ET	Socket head screw M 6 x 20 DIN 912	25 pc/pac.	
4.2	000 130 007-ET	A 6,4 washer DIN 125	25 pc/pac.	
4.3	000 128 063-ET	Square nut M 6 DIN 557	10 pc/pac.	
4.5	058900-002-ET	Socket head screw M 6 x 12 DIN 912	25 pc/pac.	
5.1-5.6	058446	Folding bracket for backrest mechanism	RH & LH	
5.2	058900-001-ET	Socket head screw M 6 x 10 ISO 7380	25 pc/pac.	
5.4	058901-003-ET	Button head cap screw M 6 x 50 - ISO 7380	25 pc/pac.	
5.5	000 130 007-ET	A 6,4 washer DIN 125	25 pc/pac.	
5.6	000 128 007-ET	Hex nut M 6 DIN 985	25 pc/pac.	
o.B.	054493-015	Folding bracket for backrest mechanism (until manufacturing week 31/07)	left side only	
1.10- 1.13, 3.1-3.5	051463.01	Conversion Kit, standard back rigid to folding back	Pair	

**Argon - Sideguard, aluminium (4229)**



Pos.	Item number	Description	Remark/Qty	Options
1.1-3.1	SOP-051310-000	Sideguards, aluminium with insulation & fitting accessories cpl.	Pair	COLMP:..?
1.1-3.1	SOP-051310-001	Sideguard, aluminium with insulation & fitting accessories cpl.	RH	COLMP:..?
1.1-3.1	SOP-051310-002	Sideguard, aluminium with insulation & fitting accessories cpl.	LH	COLMP:..?
2.1	SOP-000 104 017-ET	M 6 x 55 DIN 7991 countersunk screw	10 items/pack	
2.2	SOP-000 138 014-ET	Anchor plate for M 6	25 items/pack	
2.4	SOP-058900-002- ET	M 6 x 20 oval-head screw with Torx drive	25 items/pack	
2.3	SOP-000 130 116-ET	A 6,4 DIN 9021 washer	25 items/pack	
2.5	SOP-000 130 107-ET	Washer A 6,4 DIN 125	25 items/pack	
2.6	SOP-000 128 007-ET	M 6 DIN 985 hex nut	25 items/pack	
2.7	SOP-000 282 063-ET	Hex-cap M 6 black	10 items/pack	
2.8	SOP-611 861 005-ET	Spacer 23 mm	6 items/pack	
2.9	SOP-051469-ET	Washer, Teflon	10 items/pack	
3.1	SOP-051442-ET	Spacer for Sideguard, aluminium & Carbon	4 items/pack	
o.B.	SOP-051314	Fitting accessories for sideguard (clamps and screws)	RH & LH	
o.B.	SOP-051313	Insulation for sideguard (is clamped to the inner side)	left	
o.B.	SOP-051312	Insulation for sideguard (is clamped to the inner side)	right	

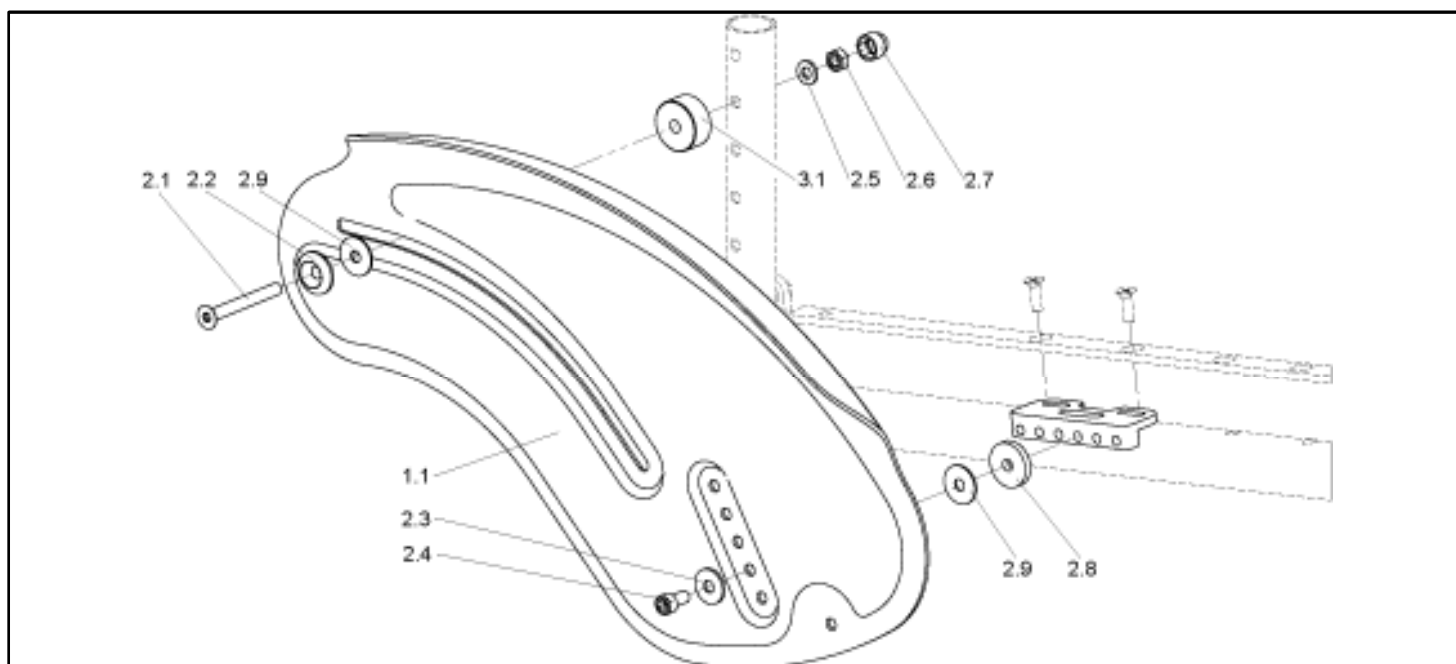
## Argon - Sideguard aluminium with Fender (4238)



Pos.	Item number	Description	Remark/Qty	Options
1.1-3.1	SOP-051311-000	Clothes protector - Sideguard, aluminium with fitting accessories complete	Pair	COLMP:..?
1.1-3.1	SOP-051311-001	Clothes protector - Sideguard, aluminium with fitting accessories complete	RH	COLMP:..?
1.1-3.1	SOP-051311-002	Clothes protector - Sideguard, aluminium with fitting accessories complete	LH	COLMP:..?
2.1	SOP-000 104 017-ET	M 6 x 55 DIN 7991 countersunk screw	10 items/pack	
2.2	SOP-000 138 014-ET	Anchor plate for M 6	25 items/pack	
2.4	SOP-058900-002-ET	M 6 x 20 oval-head screw with Torx drive	25 items/pack	
2.3	SOP-000 130 116-ET	A 6,4 DIN 9021 washer	25 items/pack	
2.5	SOP-000 130 107-ET	Washer A 6,4 DIN 125	25 items/pack	
2.6	SOP-000 128 007-ET	M 6 DIN 985 hex nut	25 items/pack	
2.7	SOP-000 282 063-ET	Hex-cap M 6 black	10 items/pack	
2.8	SOP-611 861 005-ET	Spacer 23 mm	6 items/pack	
2.9	SOP-051469-ET	Washer, Teflon	10 items/pack	
3.1	SOP-051442-ET	Spacer for Sideguard, aluminium & Carbon	4 items/pack	
o.B.	SOP-051314	Fitting accessories for sideguard (clamps and screws)	RH & LH	
o.B.	SOP-051313	Insulation for sideguard (is clamped to the inner side)	left	

Pos.	Item number	Description	Remark/Qty	Options
o.B.	SOP-051312	Insulation for sideguard (is clamped to the inner side)	right	

## Argon - Sideguard, carbon fiber with Fender (4232)



Pos.	Item number	Description	Remark/Qty	Options
1.1-3.1	SOP-051313-000	Clothes protector - Sideguard, carbon with fitting accessories complete	Pair	COLMP:..?
1.1-3.1	SOP-051313-001	Clothes protector - Sideguard, carbon with fitting accessories complete	RH	COLMP:..?
1.1-3.1	SOP-051313-002	Clothes protector - Sideguard, carbon with fitting accessories complete	LH	COLMP:..?
2.1	SOP-000 104 017-ET	M 6 x 55 DIN 7991 countersunk screw	10 items/pack	
2.2	SOP-000 138 014-ET	Anchor plate for M 6	25 items/pack	
2.4	SOP-058900-002- ET	M 6 x 20 oval-head screw with Torx drive	25 items/pack	
2.3	SOP-000 130 116-ET	A 6,4 DIN 9021 washer	25 items/pack	
2.5	SOP-000 130 107-ET	Washer A 6,4 DIN 125	25 items/pack	
2.6	SOP-000 128 007-ET	M 6 DIN 985 hex nut	25 items/pack	
2.7	SOP-000 282 063-ET	Hex-cap M 6 black	10 items/pack	
2.8	SOP-611 861 005-ET	Spacer 23 mm	6 items/pack	
2.9	SOP-051469-ET	Washer, Teflon	10 items/pack	
3.1	SOP-051442-ET	Spacer for Sideguard, aluminium & Carbon	4 items/pack	
o.B.	SOP-051314	Fitting accessories for sideguard (clamps and screws)	RH & LH	
o.B.	SOP-051313	Insulation for sideguard (is clamped to the inner side)	left	

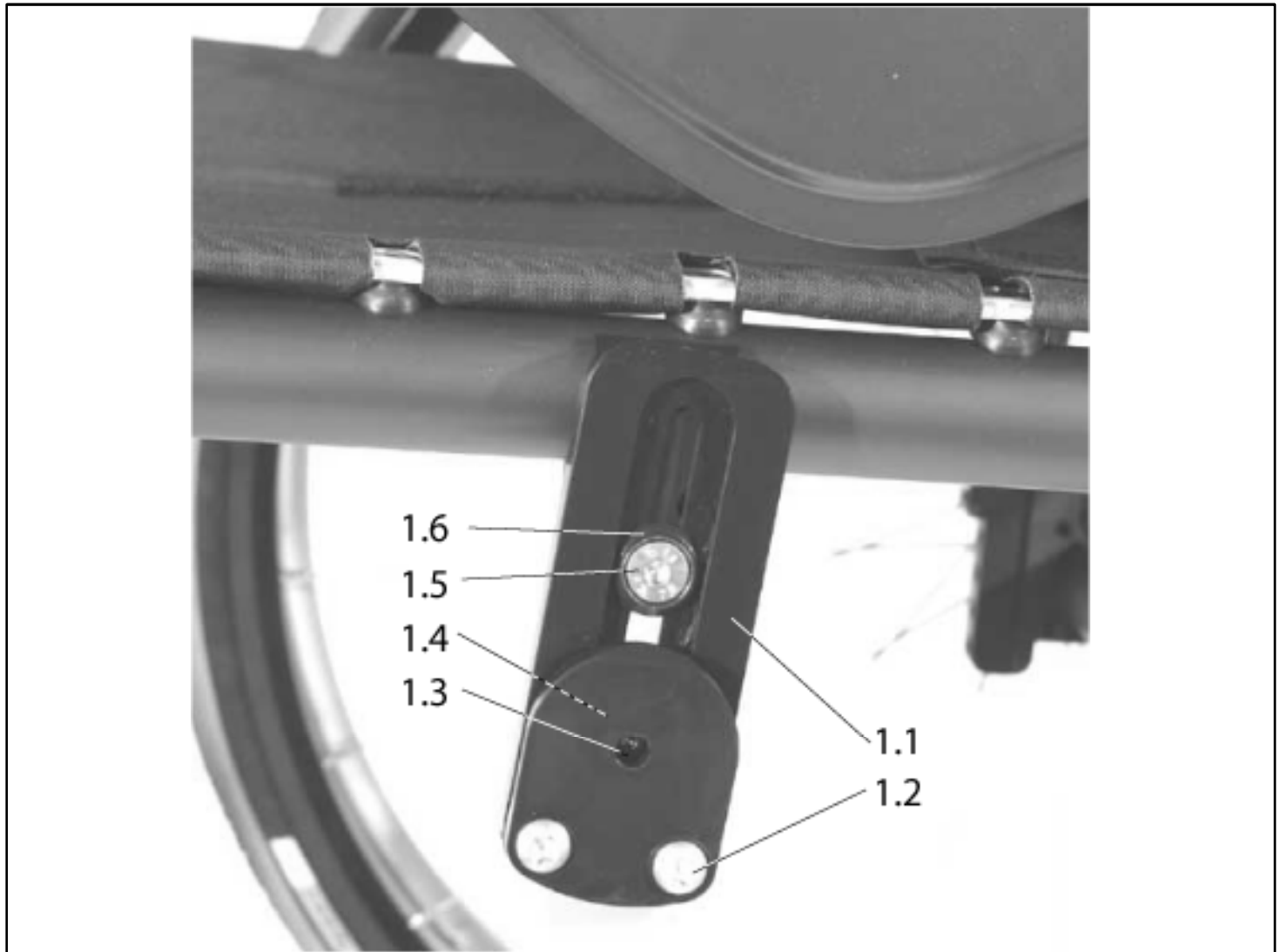
Pos.	Item number	Description	Remark/Qty	Options
o.B.	SOP-051312	Insulation for sideguard (is clamped to the inner side)	right	

## Argon -Single post Height Adjustable Armrests Quickie Style (4264)



Pos.	Item number	Description	Remark/Qty	Options
1.1-1.2	SOP-051321-000	Desk sideguards with height-adjustable armrest complete	Pair	
1.1-1.2	SOP-051321-001	Desk sideguard with height-adjustable armrest complete	RH	
1.1-1.2	SOP-051321-002	Desk sideguard with height-adjustable armrest complete	LH	
1.2	SOP-051327	Holder for desk sideguard with armrest	RH & LH	

**Argon - Flip-up mechanism for sideguard (4233)**



Pos.	Item number	Description	Remark/Qty	Options
1.1-1.6	SOP-051315	Flip-up mechanism for sideguard complete	RH & LH	
1.2	SOP-000 102 308.01ET	M 6 x 12 oval-head screw with Torx drive	25 items/pack	
1.3	SOP-000 232 013-ET	Push joint with ball M 10 x 19	6 items/pack	
1.4	SOP-000 128 023-ET	M 10 DIN 439 hex nut	25 items/pack	
1.5	SOP-000 104 052-ET	M 6 x 20 DIN 7991 countersunk screw	25 items/pack	
1.6	SOP-000 138 017-ET	Anchor plate for M 6	25 items/pack	
o.B.	000 102 311.01-ET	M 6 x 27 oval-head screw with Torx drive	25 items/pack	

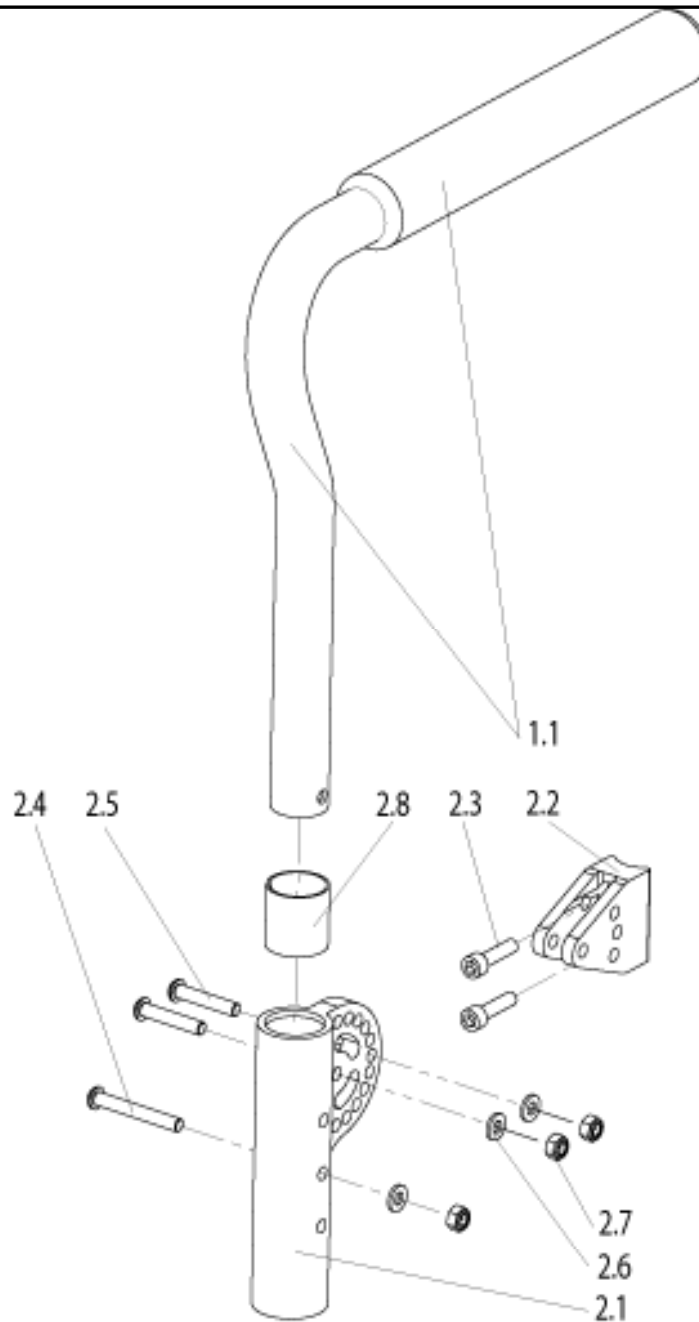


## Argon - Plastic Sideguards detachable (quickie style) (4263)



Pos.	Item number	Description	Remark/Qty	Options
1-3	051320-000	Quickie Sidegurads plastic, removeable	Pair	
1-3	051320-001	Quickie Sidegurad plastic, removeable	right	
1-3	051320-002	Quickie Sidegurad plastic, removeable	left	
1-3	051320-006	Quickie Sideguradc plastic, removeable, Quickie Kids	Pair	
1-3	051320-004	Quickie Sidegurad plastic, removeable, Quickie Kids	right	
1-3	051320-005	Quickie Sidegurad plastic, removeable, Quickie Kids	left	
2-3	051329	Bracket, Sideguard plastic, removable	RH & LH	
3	000 100 015-ET	Hex Screw 1/4"	10 items/pack	

**Argon - Padded swingaway Armrest Quickie style (angle adjustable)**



Pos.	Item number	Description	Remark/Qty	Options
1.1-2.8	SOP-054340-000	Padded armrest angle adjustable with bracket cpl. (Pad length approx. 220 mm)	Pair	
1.1-2.8	SOP-054340-001	Padded armrest angle adjustable with bracket cpl. (Pad length approx. 220 mm)	RH	
1.1-2.8	SOP-054340-002	Padded armrest angle adjustable with bracket cpl. (Pad length approx. 220 mm)	LH	
1.1	SOP-051324	Padded armrest angle adjustable w/o bracket (Pad length approx. 220 mm)	RH	
1.1	SOP-051325	Padded armrest angle adjustable w/o bracket (Pad length approx. 220 mm)	LH	

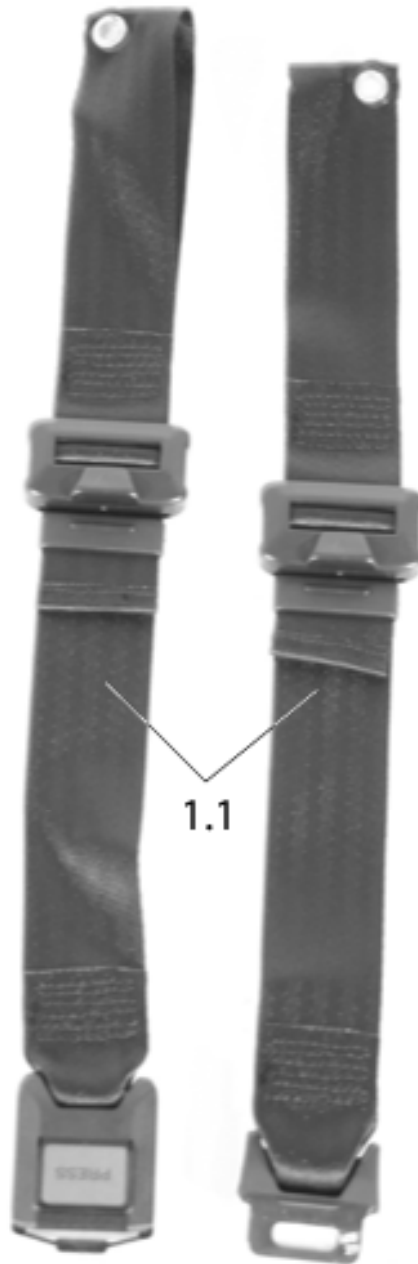
<b>Pos.</b>	<b>Item number</b>	<b>Description</b>	<b>Remark/Qty</b>	<b>Options</b>
2.1-2.8	SOP-054341	Bracket, padded armrest	RH & LH usable	
2.3	SOP-000 102 006-ET	Countersunk cap screw M 6 x 25 DIN 912	25 Pc/Pac	
2.4	000 102 056.01ET	Lens head screw, Torx M 6 x 45	25 Pc/Pac	
2.5	000 102 312.01ET	Lens head screw, Torx M 6 x 32	25 Pc/Pac	
2.6	SOP-000 130 007-ET	Washer A 6,4 DIN 125	25 Pc/Pac	
2.7	SOP-000 128 007-ET	Hex nut M 6 DIN 985	25 Pc/Pac	
2.8	SOP-560400-ET	Bushing, padded armrest	4 Pc/Pac	

**Argon - Tipping tube with frame adapter (1230)**



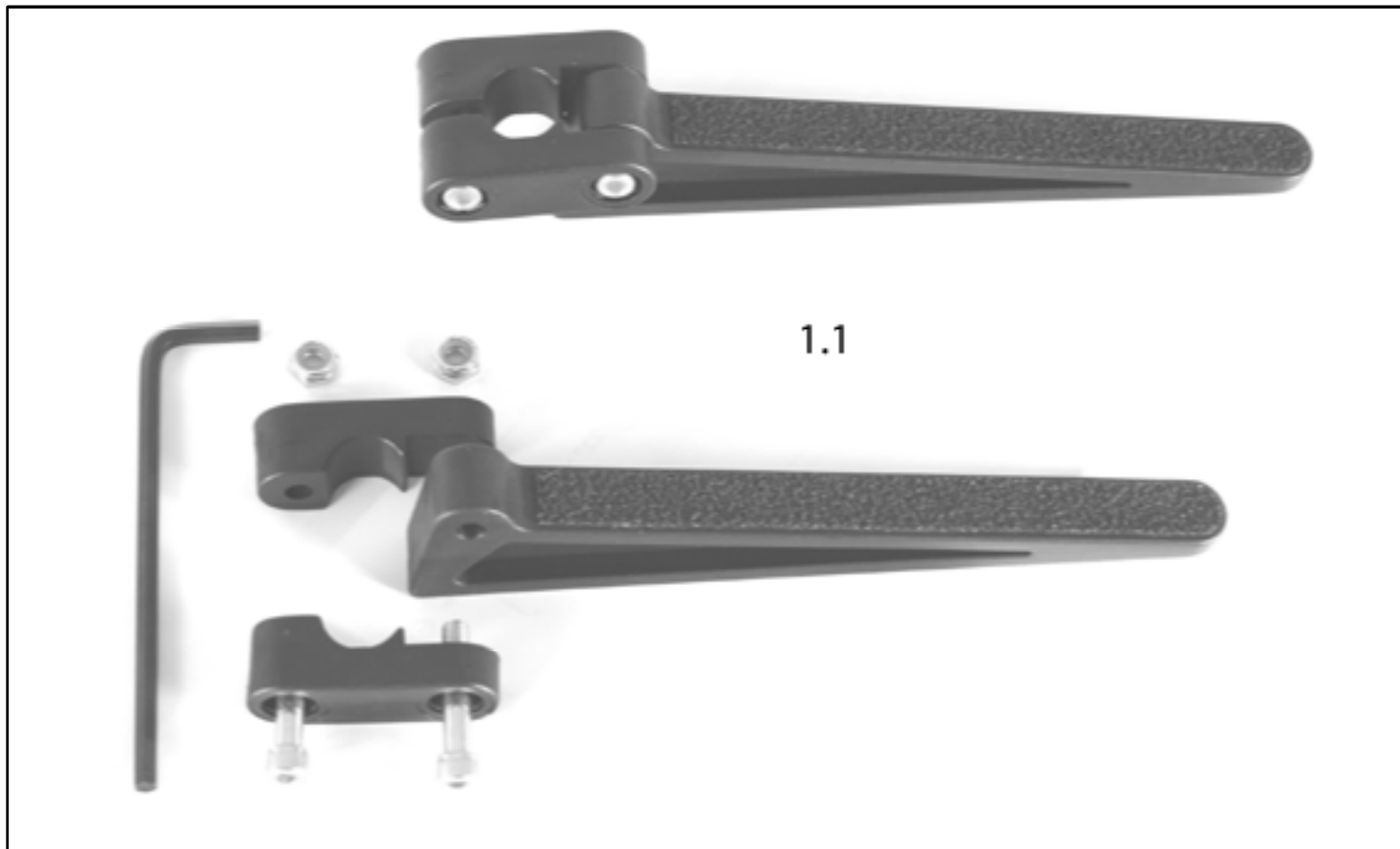
Pos.	Item number	Description	Remark/Qty	Options
1.1-2.5	SOP-051182	Tipping tube with frame adapter complete	RH & LH usable	
1.1	SOP-740 815 110	Tipping bar		
2.1-2.5	SOP-051180	Frame adapter complete	RH & LH usable	
2.2	SOP-000 102 319-ET	M 5 x 16 DIN 912 cheese head screw	25 items/pack	
2.3	SOP-760 827 007-ET	End stoppers for round tube	10 items/pack	
2.4	000 102 312.01-ET	M 6 x 32 oval-head screw with Torx drive	25 items/pack	
2.5	SOP-000 128 007-ET	M 6 DIN 985 hex nut	25 items/pack	

**Argon - Positioning belt with lock (4049)**



Pos.	Item number	Description	Remark/Qty	Options
1.1	SOP-000 849 022	Lap belt with fastener up to SW: 40		
1.1	SOP-000 849 023	Lap belt with fastener up to SW: 42		

**Argon - Caddy (2118)**

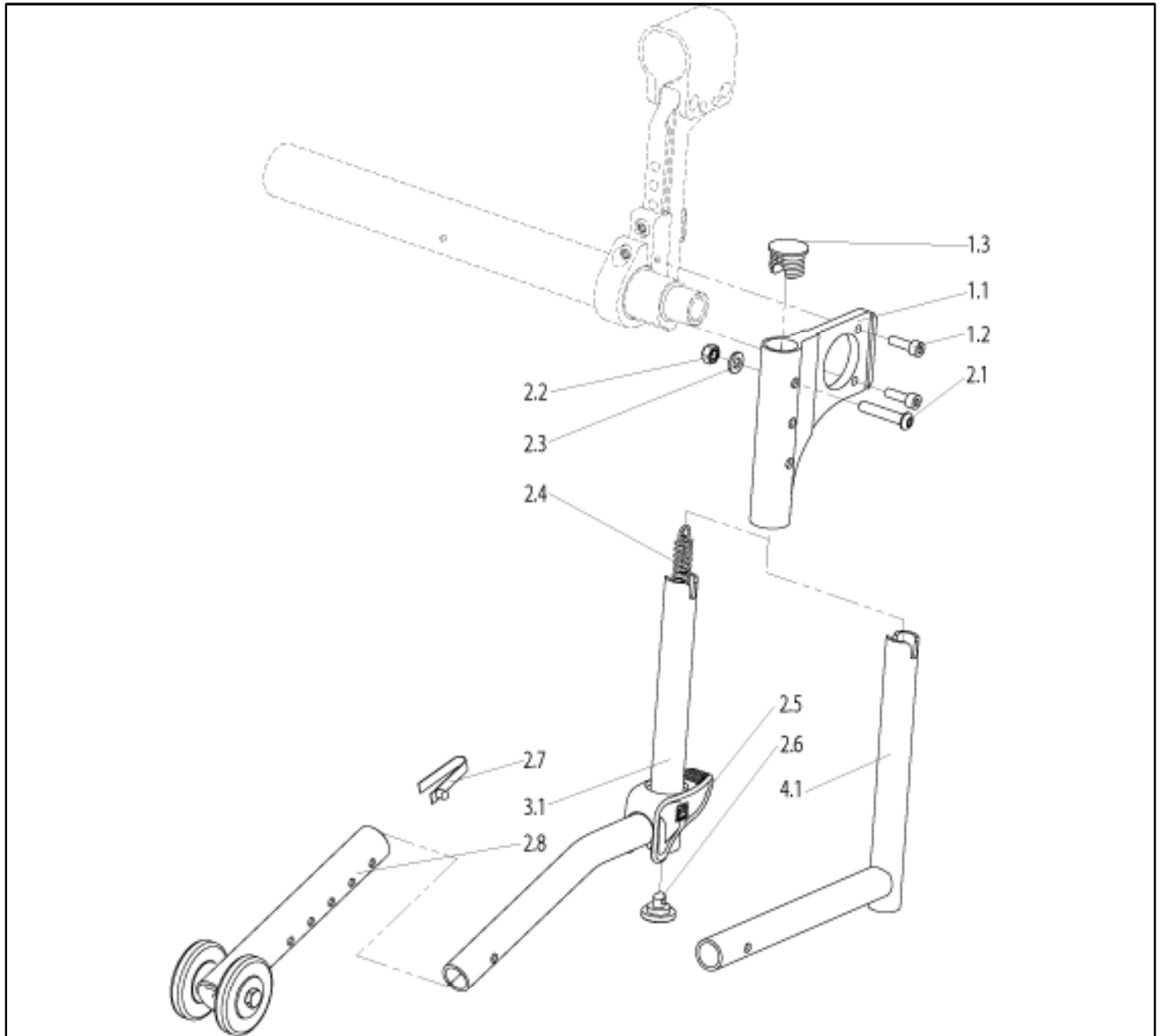


Pos.	Item number	Description	Remark/Qty	Options
1.1	902350	Caddy, bag carrier complete (All parts as illustrated)	2 items	

**Argon - Backpack (4006)**

Pos.	Item number	Description	Remarks	Options
1.1	SOP-000 670 001	Backpack, black		

**Argon - Swingaway anti-tip tube (1244)**

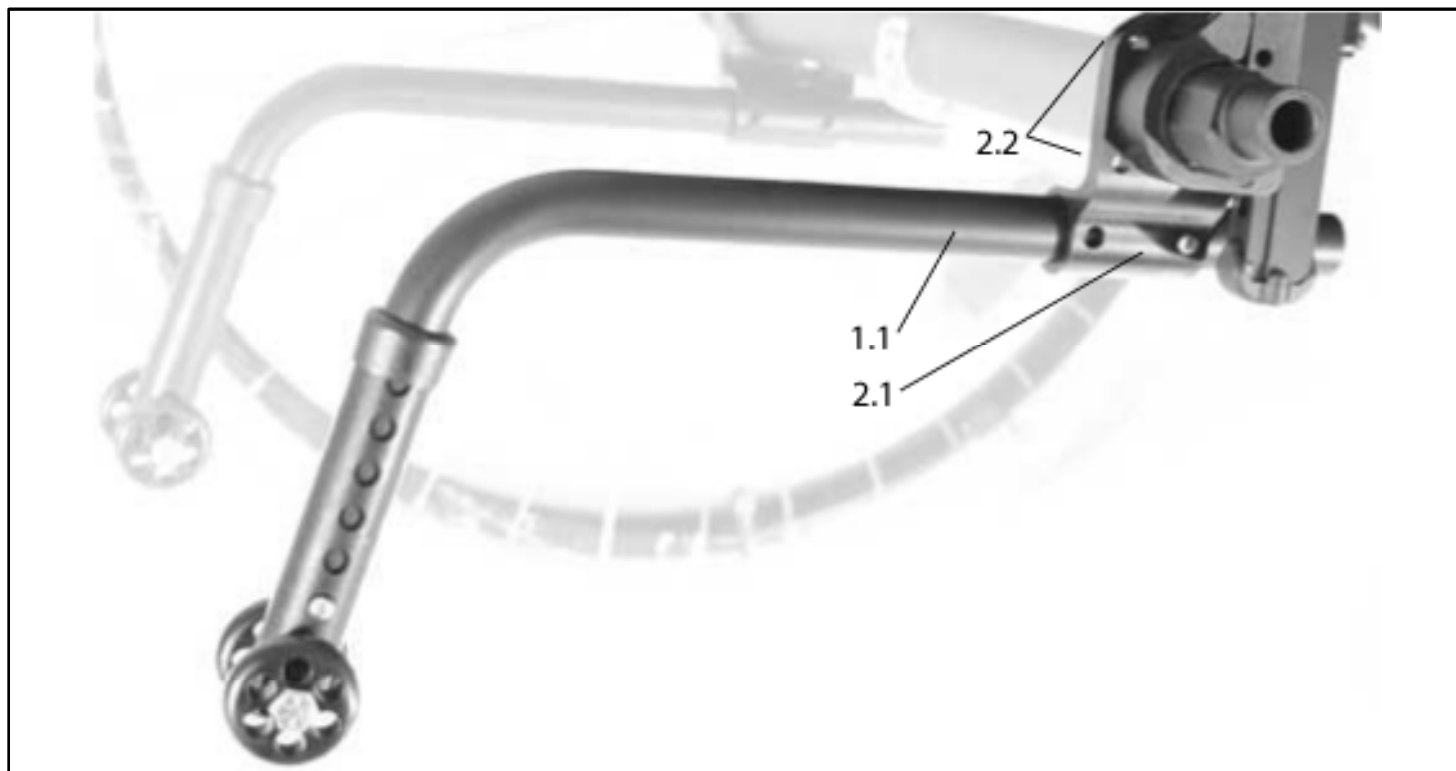


Pos.	Item number	Description	Remark/Qty	Options
1.1 - 3.1	SOP-051184	Swingaway anti-tip tube with frame adapter 24" and 26" complete	RH & LH usable	
1.1 - 2.8, 4.1	SOP-051196	Swingaway anti-tip tube with frame adapter 20" and 22" complete	RH & LH usable	
1.1 - 1.3	SOP-051180	Frame adapter for anti-tip tube	RH & LH usable	
2.1 - 3.1	SOP-000 859 202	Swingaway anti-tip tube 24" and 26"	RH & LH usable	



Pos.	Item number	Description	Remark/Qty	Options
2.1 - 2.8, 4.1	SOP-000 859 212	Swingaway anti-tip tube 20" and 22"	RH & LH usable	
2.1 - 2.6, 3.1	SOP-000 859 201	Anti-tip bracket 24" / 26" cpl.	RH & LH usable	
2.1 - 2.6, 4.1	SOP-000 859 203	Anti-tip adapter 20" / 22" cpl.	RH & LH usable	
1.2	SOP-000 102 319-ET	Socket-head screw M 5 x 16 DIN 912	25 Pc/Pac	
1.3	SOP-760 827 007-ET	End stoppers for round tube	10 Pc/Pac	
2.1	000 102 312.01- ET	Oval-head screw M 6 x 32 with Torx drive	25 Pc/Pac	
2.2	SOP-000 128 007-ET	Hex nut M 6 DIN 985	25 Pc/Pac	
2.3	SOP-000 130 007-ET	A 6,4 washer DIN 125	25 Pc/Pac	
2.4	SOP-000 242 024	Tension spring for anti-tip tube		
2.5	SOP-000 859 001	Pedal for anti-tip tube		
2.6	SOP-000 859 204	Bracket for tension spring		
2.7 - 2.8	SOP-000 859 208	Holder for anti-tip tube, complete		
2.7	SOP-000 242 002-ET	Support spring with bolts of 5 mm diameter	5 Pc/Pac	
3.1	SOP-000 859 205	Anti-tip tube adapter 24" / 26"		
4.1	SOP-000 859 207	Anti-tip tube adapter 20" / 22"		

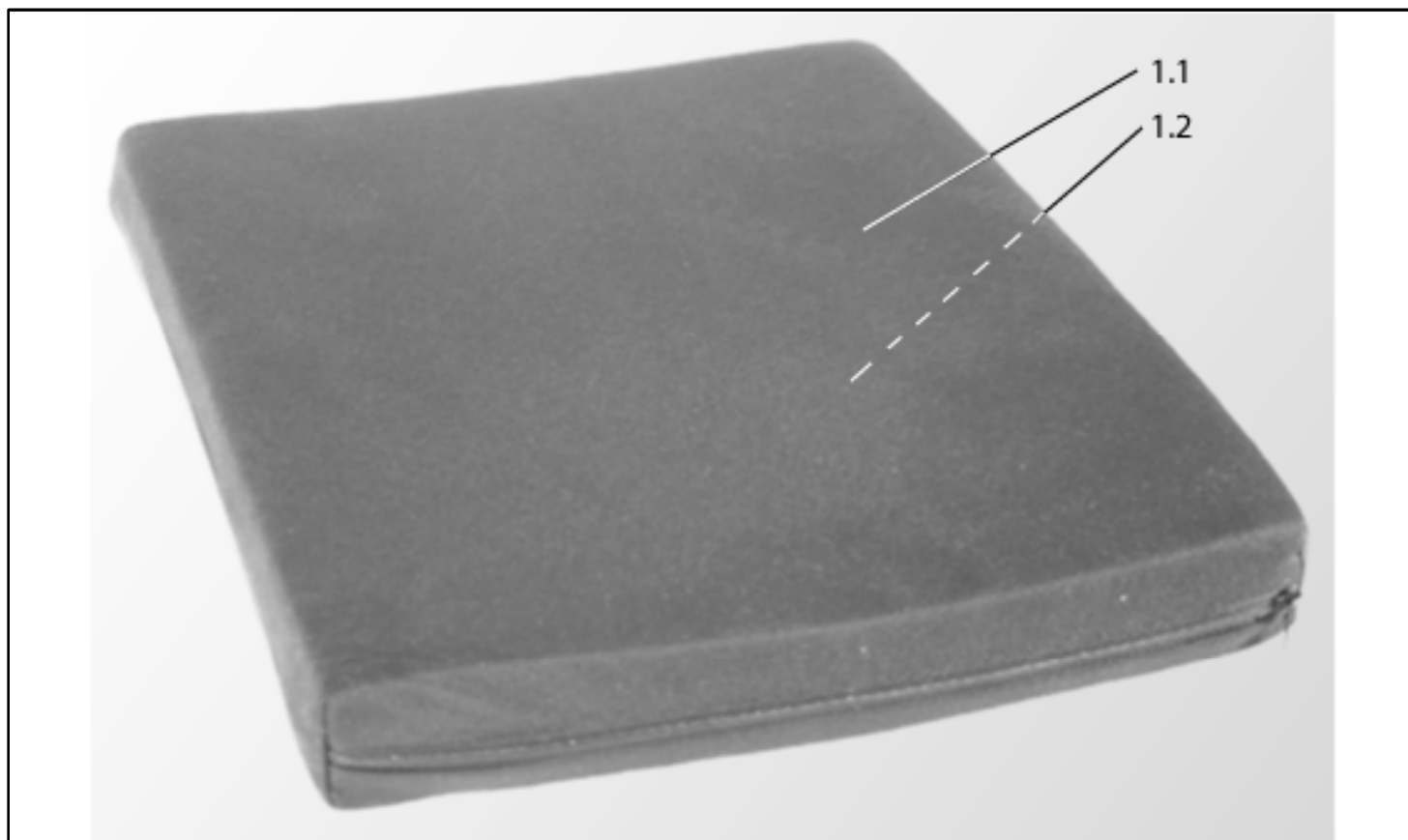
**Argon - Pluggable anti-tip tube (1245)**



Pos.	Item number	Description	Remark/Qty	Options
1.1-2.2	SOP-051185	Pluggable anti-tip tube with bracket cpl.	Pair	WHLS:..?
1.1-2.2	SOP-051187	Pluggable anti-tip tube with bracket cpl.	RH	WHLS:..?
1.1-2.2	SOP-051188	Pluggable anti-tip tube with bracket cpl.	LH	WHLS:..?
2.1-2.2	SOP-051189	Bracket, anti-tip kpl.	RH & LH usable	
2.2	SOP-000 102 319-ET	Screw M 5 x 16 DIN 912	25 Pc/Pack	

## Argon - Seat cushion (3026,3027, 3028,3029)

Seat- and Backslings are customized manufactured and excluded from replacements!



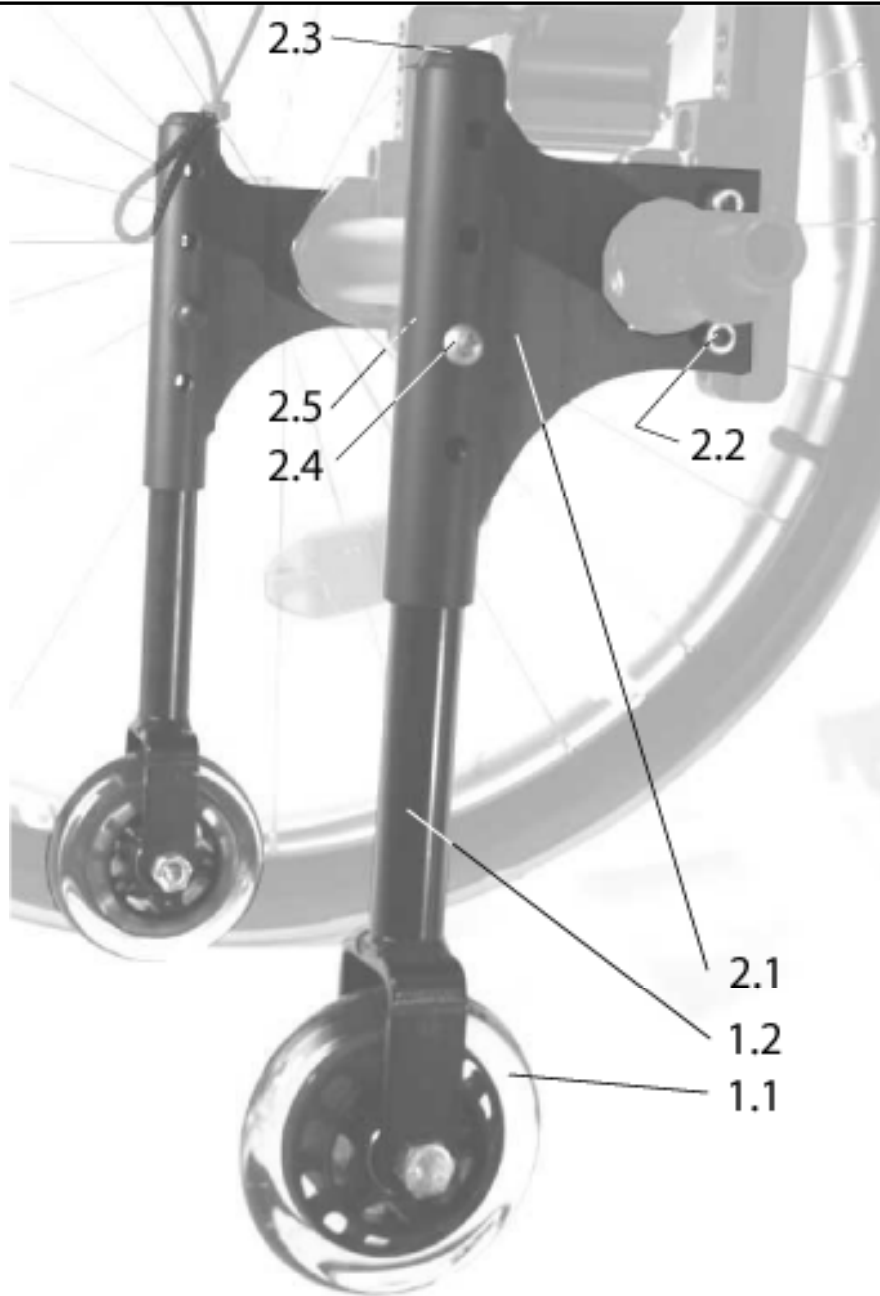
Pos.	Item number	Description	Remark/Qty	Options
1.1-1.2	SOP-000 835 002	Seat cushion with black cover complete Cushion filling: foam = 92	Thickness: 3 cm or 5 cm	SW:...? SD:...? CUTH:...?
1.1-1.2	SOP-000 835 003	Seat cushion with black cover complete Cushion filling: Latex = 55	Thickness: 5 cm or 8 cm	SW:...? SD:...? CUTH:...?
1.1-1.2	SOP-000 898 063	KLIMA-TEX seat cushion with black cover complete Cushion filling: Latex = 55	Thickness: 5 cm or 8 cm	SW:...? SD:...? CUTH:...?
1.1-1.2	SOP-000 898 060	KLIMA-TEX seat cushion with black cover complete Cushion filling: foam = 92	Thickness: 5 cm or 8 cm	SW:...? SD:...? CUTH:...?
1.1	SOP-000 836 002	Black cushion cover		SW:...? SD:...? CUTH:...?
1.2	SOP-000 835 810	Foam seat cushion filling	Nur 5 oder 8 cm Dicke	SB:...? ST:...? CUTH:...?
1.2	SOP-000 835 820	Latex seat cushion filling	Nur 5 oder 8 cm Dicke	SW:...? SD:...? CUTH:...?

**Argon - Crutch holder with Velcro strap (1205)**



Pos.	Item number	Description	Remarks	Options
1.1	SOP-740 815 120	Crutch holder with Velcro strap complete	without tipping tube	
o.B.	000 102 312.01-ET	M 6 x 32 oval-head screw with Torx drive	25 items/pack	
0.B.	SOP-000 128 007-ET	M 6 DIN 985 hex nut	25 items/pack	
1.2	SOP-000 815 123-ET	Velcro strap	5 items/pack	

## Argon - Transit wheels with frame adapter (1247)



Pos.	Item number	Description	Remark/Qty	Options
1.1-2.5	SOP-051181	Transit wheels with holder complete	RH & LH usable	
1.1-1.2	SOP-760 858 020	Transit wheels complete	RH & LH usable	
2.1-2.5	SOP-051180	Frame adapter complete	RH & LH usable	
2.2	SOP-000 102 319-ET	M 5 x 16 DIN 912 cheese head screw	25 items/pack	
2.3	SOP-760 827 007-ET	End stoppers for round tube	10 items/pack	

Pos.	Item number	Description	Remark/Qty	Options
2.4	000 102 312.01-ET	M 6 x 32 oval-head screw with Torx drive	25 items/pack	
2.5	SOP-000 128 007-ET	M 6 DIN 985 hex nut	25 items/pack	

**Argon - Toolkit & Pump (1403)**



Pos.	Item number	Description	Remarks	Options
1	SOP-000 604 270	Toolkit		
	SOP-000 228 005	High Pressure Pump		

Argon - Mobile phone case



Pos.	Item number	Description	Remarks	Options
1	SOP-000 670 006	Mobile phone case "QUICKIE"		



**Argon - High pressure pump 1402)**

Pos.	Item number	Description	Remarks	Options
1	SOP-000 228 005	Argon - High pressure pump		